

LED WALL PACK.



Upgrade your outdoor lighting with the 30W LED Exterior Wall Pack Light, delivering a powerful 3000 lumens of bright illumination. Featuring selectable CCT, this fixture allows you to adjust the color temperature to suit different environments.

- ✓ Corrosion-Resistant Build, Long-lasting housing
- ✓ CCT Tri-Colour Switchable - 3000/4000/6000K
- ✓ Powerful bright LEDs - 3000 Lumens
- ✓ Weatherproof & Durable, IP65-rated
- ✓ Powerful Brightness, 30W LED



Technical Specification

Product Details

Range Variants	Standard / Photocell
Applications	Semi-Commercial or Residential
Installation Options	Car Parks, Entrances, Pathways, Stairwells, and other Exterior Areas
UKCA & CE Compliant	Yes
RoHS Compliant	Yes
Guarantee Period	3 Years

Construction

Case Material	Polycarbonate
Case Colour	Black (Gloss)
Diffuser Material	Polycarbonate
Diffuser Colour	Frosted
IP Rating	IP65
IK Rating	IK10
Dimensions	See below
Weight	1.82 kg
Cable Entry	3 x 20mm knockouts 1 x Rear 1 x Left 1 x Right
Operating Temp (°C)	-20 to 45 °C

Electrical Data

Voltage	220-240V AC
Frequency	50/60Hz
Wattage	30.0W
Power Factor	0.9 pf
Earth Protection	Class II
Energy Rating	F
Dimmable	No
Driver	Internal

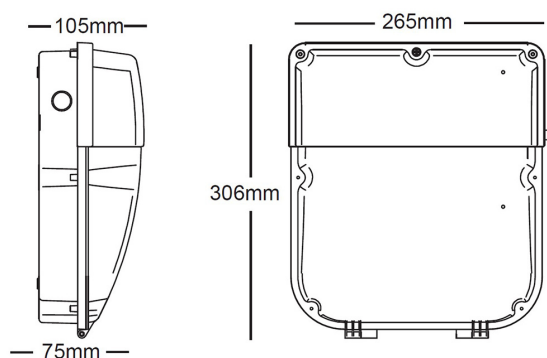
LED Data

LED Type	SMD (Surface Mounted Diode)
LED Microchip	2835
Lumens	3000 lm
Lumens per watt	100 lm/W
Colour Rendering Index	>=80 CRI
Colour Temperature	CCT Switchable 3000K, 4000K or 6000K
Beam Angle	120°
Instantaneous Illumination	Yes: <1 second
LED Lifetime	35,000 hrs

Product Family

BHWP30	Standard	306mm (h) x 265mm (w) x 110mm (d)	Black
BHWP30PC	Photocell	306mm (h) x 265mm (w) x 110mm (d)	Black

Dimensions



Photocell Model

