



INS 38599 - A



## Instruction

### SPECIFICATION:

Voltage: 220-240V/AC

Rated Current: 10A

Working Temperature: -20~+40!

IP Class: IP65

Power Frequency: 50/60Hz

Ambient Light: <10 LUX

Working Humidity: <93%RH

### INSTALLATION:

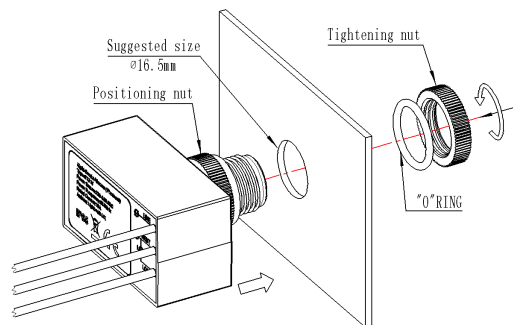
Switch off the power.

Take out the Tightening nut and "O" ring firstly. Then open a  $\Phi 16.5\text{mm}$  hole on the product and fix the sensor head part on the hole.

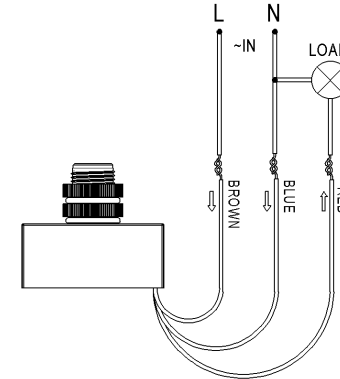
Swivel the positioning nut to the suitable position. Then install back the "O" ring and Tightening nut to fix the product. (Details see the figure on the right).

Connect the electric wire as the connection-wire diagram.

Switch on the power and then you can test it.



### CONNECTION-WIRE DIAGRAM:



### TEST:

Switch on the power.

When you test in daytime. You should cover a black opaque cloth on the product.

When the cloth mantles the detection window of the photocell, the ambient light of the photocell is dark, the lamp will be on.

When you take off this cloth, the lamp will be off automatically.

### NOTE

In front of the photocell, it should be no obstruction affecting to accept natural light;

In front of the photocell, it should be no swaying object.

Don't install the photocell under the light or in the place where the light will be irradiated to the photocell.



This product should be disposed of responsibly at the end of its life. Please recycle where facilities exist. Check with your Local Authority or retailer for recycling advice (Waste Electrical and Electronic Equipment Directive)

### Helpline

If you receive this item with parts broken or missing, please telephone: **0333 0050077**

Please have ready your name, address, tel. no., product reference, where purchased and parts required. An answering service is in operation outside office hours and during busy periods.

**We regret that we are unable to give advice on internal house wiring.**

Cascade Holdings Ltd, Gorse Mill, Gorse Street, Chadderton, Oldham. OL9 9RJ

EU Authorised Representative: Authorised Rep Compliance,  
Ground Floor, 71 Lower Baggot Street, Dublin, Ireland,  
D02P593.



Please take time to read this leaflet carefully and retain it for future reference.