

ZINK

Photocell Timer With Dusk to Dawn Feature ZN25156



User Instructions



This product should be disposed of responsibly at the end of its life. Please recycle where facilities exist. Check with your Local Authority or retailer for recycling advice (Waste Electrical and Electronic Equipment Directive)

Helpline

If you receive this item with parts broken or missing, please telephone: **0333 0050077**

Please have ready your name, address, tel. no., product reference, where purchased and parts required. An answering service is in operation outside office hours and during busy periods.

We regret that we are unable to give advice on internal house wiring.

Cascade Holdings Ltd, Gorse Mill, Gorse Street, Chadderton, Oldham. OL9 9RJ

EU Authorised Representative: Authorised Rep Compliance,

Ground Floor, 71 Lower Baggot Street, Dublin, Ireland,

D02P593.

V6

Welcome to use ST300 light-control sensor!

This item is an automatic photocell switch for lamps. When the ambient-light darkens to the LUX that you set in advance, the light will turn on. The light will turn off at the preset time or ambient-light is more than the setting LUX. It adds the functions of LUX adjustable and TIME setting. It is easy and comfortable to use.

SPECIFICATION:

Power source: 220-240V/AC

Power Frequency: 50/60Hz

Rated Current: 10A

Ambient Light: <3-500LUX (adjustable)

Working Temperature: -20~+40

Working Humidity: <93%RH

Built-in Timer: 1, 2, 3, 4, 5, 6, 7, 8, 9 Hours

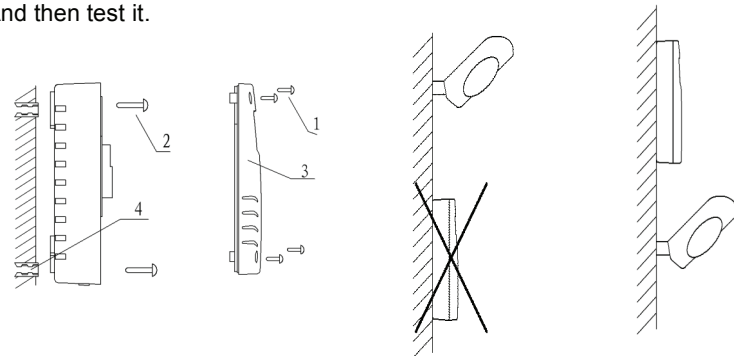
IP class: IP65

FUNCTION:

- LUX setting: turn LUX knob anti-clockwise to "3" position, the photocell will only work in the dark (less than 3LUX). If turn clockwise to "500" position, it will work when the ambient light is less than 500LUX.
- TIME setting: you can set the regular working hours of the photocell as needed

INSTALLATION:

- Switch off the power.
- Loosen the four screws on the cover and take down the cover.
- Connect the wire with the product as per the connection-wire diagram.
- According to the correct installation place, install the product with the enclosed inflated screws.
- Install back the cover. Switch on the power, And then test it.



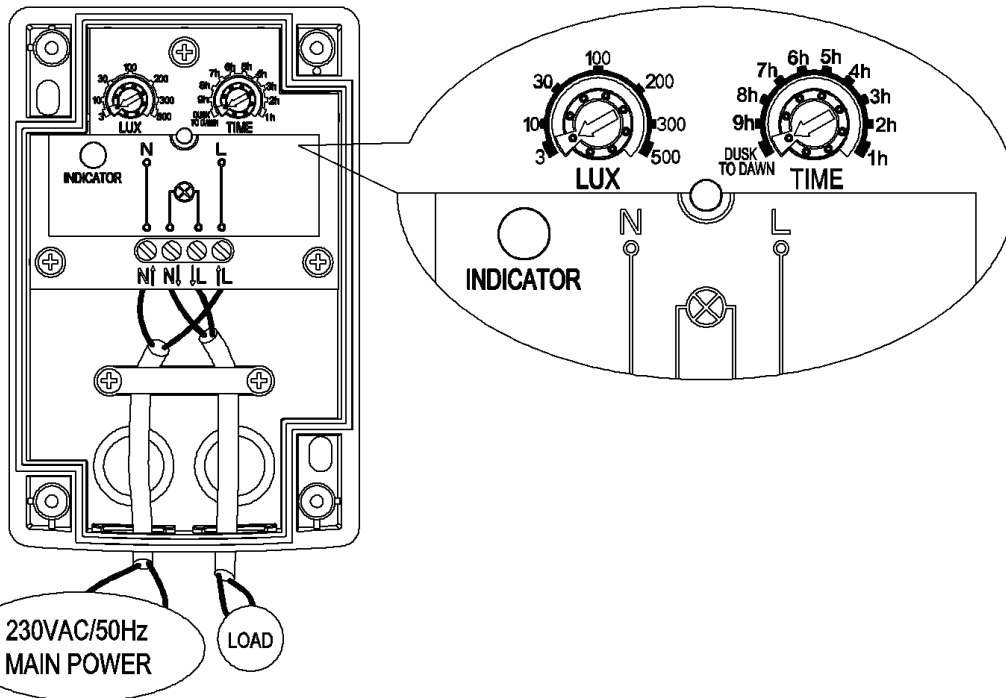
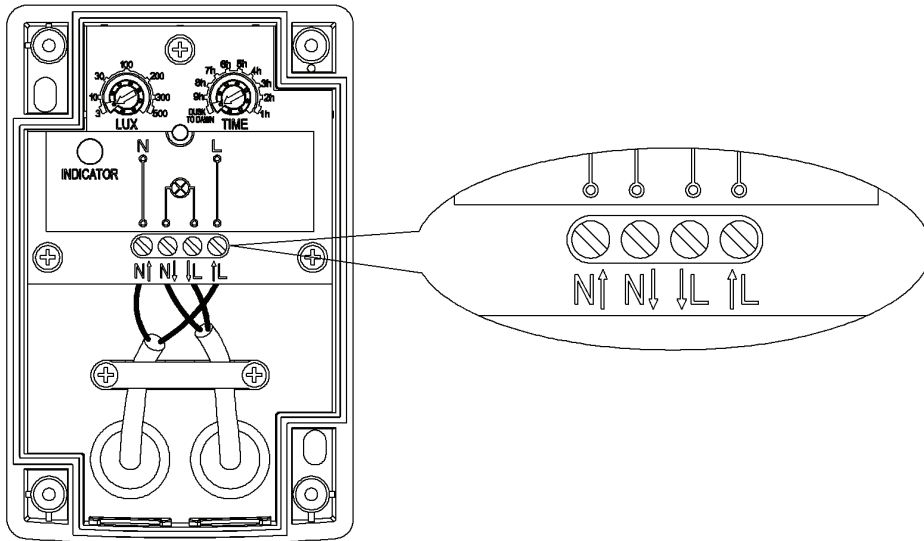
FIGURE

INCORRECT

CORRECT



CONNECTION-WIRE DIAGRAM:



TIME SETTING:

The LED indicator inside the sensor will flash to display the preset times as following:

1. 1 hour: flash one time
2. 2 hours: flash two times
3. 3 hours: flash three times
4. 4 hours: flash four times
5. 5 hours: flash five times
6. 6 hours: flash six times
7. 7 hours: flash seven times
8. 8 hours: flash eight times
9. 9 hours: flash nine times
10. dusk to dawn: rapidly flash ten times

Note: when the TIME knob is set to 'Dusk to Dawn', after 1 minute, the lamp will turn on. It will remain lit for 1 minute, then the lamp will turn off.

TEST:

- Set the LUX knob to "3" position and set time knob to "1h" position.
- When you test in daytime. you should cover a black opaque cloth on the product, after 1 minute, the lamp will be turned on
- When the cloth mantles the detection window of the photocell, the ambient light of the photocell is less than 3 LUX, the lamp will be on for one hour.
- When you take away this cloth, the lamp will be off automatically.
- When you slide the LUX knob to "500" position, the lamp could be on in the ambient light less than 500LUX.

NOTE:

- In front of the photocell, there should be no obstruction affecting to accept natural light;
- In front of the photocell, there should be no swaying object.
- Don't install the photocell under the light or in the place where the light will be irradiated to the photocell.
- When lamp is on, another light source irradiate to the photocell, and this light lasts for more than one minute, the lamp will turn off and the electronic TIMER will stop counting. The TIMER will recount from the beginning when the light turns on again
- The electronic TIMER will reset when the power is off over 2~5 seconds.