

LAPIN SERIES LIGHTS

INS ZN 41732 41733 41734 41735 41736 41737 41739 - A

Please read these instructions before commencing installation & retain them for future reference.

Important information

Plug into a suitable IP rated socket or plug in the driver indoors.

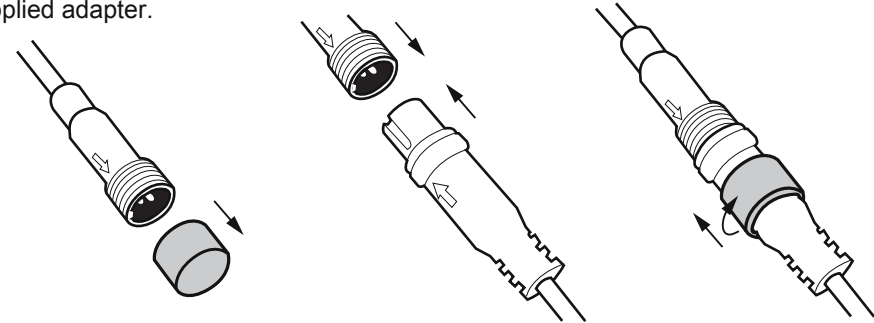
- These products are designed for connection to a 220-240V mains supply.
- We will not accept responsibility for any claims arising from a poor installation.

Installation Procedure

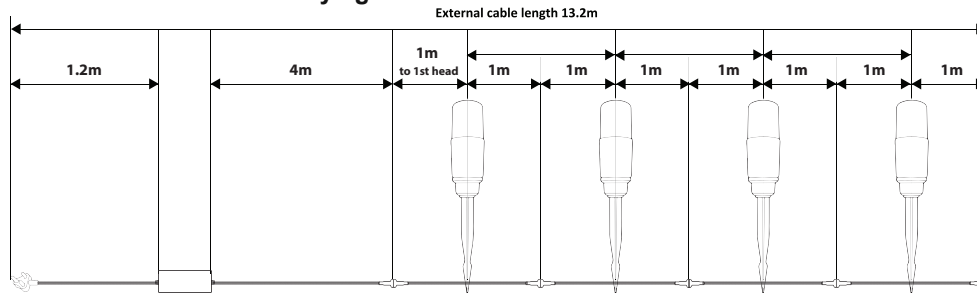
- Always switch off mains supply before servicing.
- Ensure 220-240V supply voltage.
- Fix the Lights in a suitable position. see spacings shown below for info.
- The Lights are suitable for external use, but must not be submerged in water.
- Plug into a suitable IP rated socket or plug in the driver indoors.
- Ensure wiring is located so that it doesn't pose a trip hazard.

Connecting the sets:

Unscrew the end cap, push the 2 connectors together, screw the connector ring over the joint. Up to a maximum of 8 lights (any type) plus a sensor, can be installed in series with the supplied adapter.

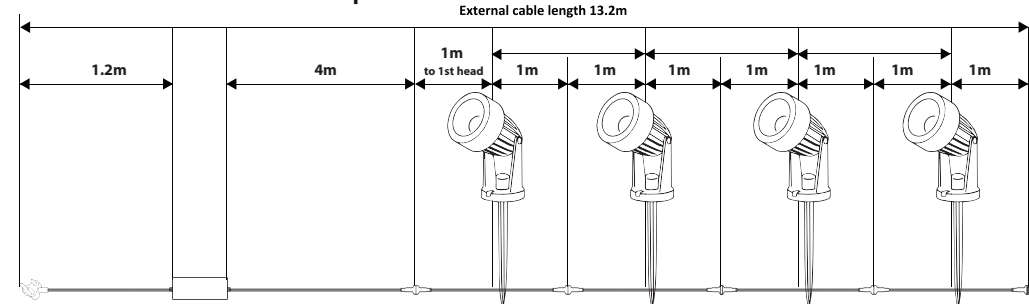


SPECIFICATIONS : Pathway lights



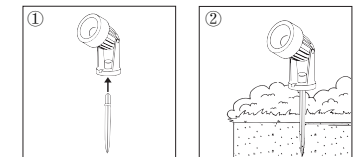
- Input: 220-240 V/AC 50/60 Hz
- Output Voltage: DC 24V
- Power: 4x3W=12W Total per kit
- Adapter: DC 24V, 1.5A, 36W
- 6.2 meters lead-in to the first light
- 2 meters cable between lights
- Lamp body material: ABS
- Colour Temperature: 4000K
- Luminous Flux: 1000lm
- Beam angle: 120 degrees
- IP Rating: IP65
- Working Temperature: -25°C-50°C

SPECIFICATIONS : Garden spikes

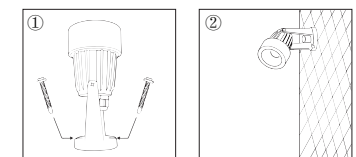


- Input: 220-240 V/AC 50/60 Hz
- Output Voltage: DC 24V
- Power: 4x3W=12W Total per kit
- Adapter: DC 24V, 1.5A, 36W
- 6.2 meters lead-in to the first light
- 2 meters cable between lights
- Lamp body material: ABS
- Colour Temperature: 4000K
- Luminous Flux: 960lm
- Beam angle: 60 degrees
- IP Rating: IP65
- Working Temperature: -25°C-50°C

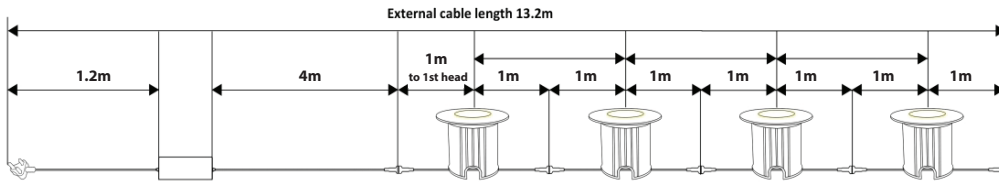
Ground Mounting



Wall/Deck Mount

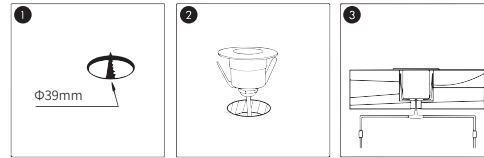


SPECIFICATIONS : Recess deck lights

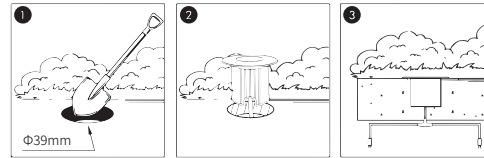


- Input: 220-240 V/AC 50/60 Hz
- Output Voltage: DC 24V
- Power: 4x2W=8W Total per kit
- Adapter: DC 24V, 1.5A, 36W
- 6.2 meters lead-in to the first light
- 2 meters cable between lights
- Lamp body material: ABS
- Colour Temperature: 4000K
- Luminous Flux: 1000lm
- Beam angle: 120 degrees
- IP Rating: IP65
- Working Temperature: -25°C-50°C
- The size of the cut hole is: 38mm

Wooden Deck Mount



Ground Mounting



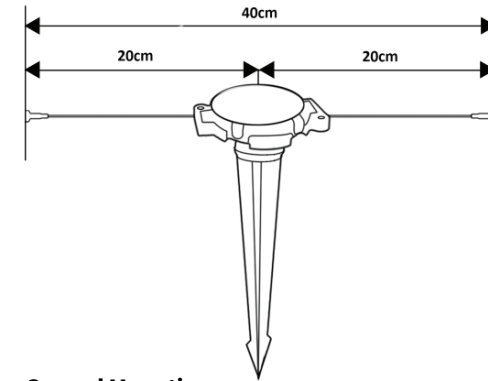
SPECIFICATIONS : Add-in Photocell Sensor

Installation Procedure

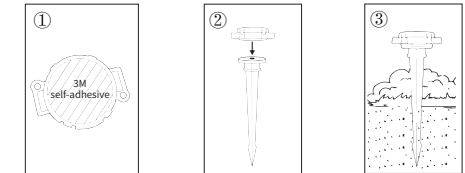
- Always switch off mains supply before servicing.
- Ensure 220-240V supply voltage.
- Connect the photo sensor in front of the first light.
- Fix the Photocell Sensor in a suitable position.
- The Photocell Sensor are suitable for external use, but must not be submerged in water.
- Sensor will activate when it goes dark and will turn off at dawn. Ensure that the sensor area is kept clean.

SPECIFICATIONS :

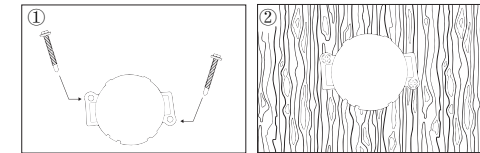
- Input Voltage: DC 24V
- Lamp body material: ABS
- IP Rating: IP65
- Working Temperature: -25°C-40°C
- Power adapter is not included in the package



Ground Mounting



Wall Mount



Available kits and add-ons:

Garden spike kit - ZN 41732 (Driver + 4 Lights)

Pathway light kit - ZN 41734 (Driver + 4 Lights)

Recess deck light kit - ZN 41736 (Driver + 4 Lights)

5m PVC cable extension - ZN 41738

Photocell - ZN 41739

Garden spike add-on - ZN 41733 (2 lights)

Pathway light add-on - ZN 41735 (2 lights)

Recess deck light add-on - ZN 41737 (2 lights)

HELPLINE

If you receive this item with parts broken or missing, please telephone:

0333 0050077

Please have ready your name, address, tel. no., product reference, where purchased and parts required.

An answering service is in operation outside office hours and during busy periods.

We regret that we are unable to give advice on internal house wiring.

Cascade Holdings Ltd, Gorse Mill, Gorse Street, Chadderton, Oldham. OL9 9RJ

EU Authorised Representative: Authorised Rep Compliance,
Ground Floor, 71 Lower Baggot Street, Dublin, Ireland,
D02P593.

UK
CA

CE



This product should be disposed of responsibly at the end of its life. Please recycle where facilities exist. Check with your Local Authority or retailer for recycling advice (Waste Electrical and Electronic Equipment Directive)