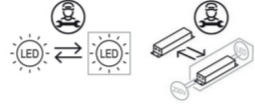




## HOLBON Series



220-240V IP65 LED IK08 5 YEAR WARRANTY

### HOLBON Series



Bulkhead



**READ THESE INSTRUCTIONS THOROUGHLY BEFORE INSTALLATION KEEP THESE INSTRUCTIONS FOR FUTURE REFERENCE.**

**IMPORTANT:**  
This product must be installed by a qualified electrician or competent person, and in accordance with current building and IET wiring regulations.

#### BOX CONTENTS

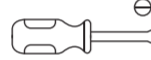
This lighting fixture has been properly packed to avoid damage during transit. Before commencing with the installation carefully inspect the luminaire to confirm there is no damage. **DO NOT INSTALL** if any damage has occurred to the fixture or any of its components.

- Light Fitting
- Instruction Manual

#### TOOLS REQUIRED



• Drill



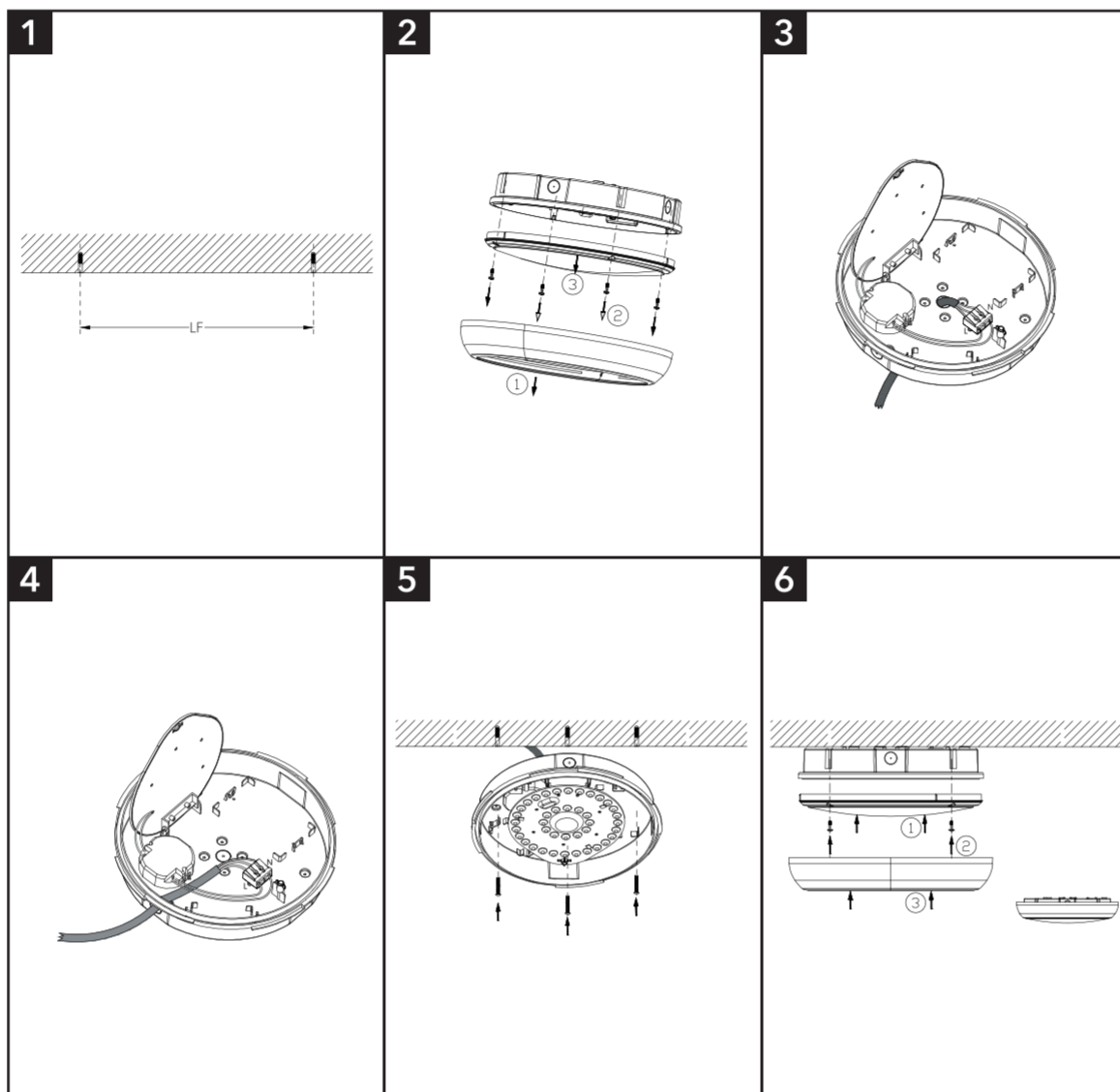
• Screwdriver



• Cable



### INSTALLATION INSTRUCTIONS



#### PLEASE READ THESE INSTRUCTIONS BEFORE INSTALLATION.

**WARNING: Risk of electric shock! Isolate the mains power before proceeding.**

- Turn off the mains power before performing inspections, installation, or removal
- Verify that the supply voltage is correct by comparing it with the luminaire label information
- It is the installers responsibility to ensure installation is suitable for the total load of the luminaire(s). The supply cable, fuses/circuit breakers must be correctly rated for the electrical load and considering for any transient inrush currents that may occur
- Do not perform insulation strength or resistance tests on installed luminaire(s) connected

1. On the installation surface, measure and drill the fixing holes then insert the rawl plugs provided.
2. Remove the outer bezel, the retaining screws and the cover. Twist the wing-nuts to release and open the LED tray.
3. Feed the mains cable through the rear knockout  
- Make the Brown - (L) Live connection and the Blue - (N) Neutral connection to the terminal block OR
4. Feed the mains cable through the rear knockout  
- Make the Brown - (L) Live connection and the Blue - (N) Neutral connection to the terminal block
5. Place the housing on the installation surface and screw the fixing screws into the rawl plugs.
6. Re-fix the cover, retaining screws and outer bezel.



## HOLBON Series Bulkhead Light



#### DISPOSAL

The light source of this unit is not replaceable; when the light source reaches its end of life the whole luminaire shall be replaced.

Disassemble instructions for end of life disposal available on website.

Disposal of Electronic Equipment WEEE Directive 2002/96/EC This product falls within the scope of the Waste Electrical & Electronic Equipment Directive (WEEE), which means the product should not be disposed of as normal household waste. Please recycle where facilities exist or check with your Local Authority. RoHS - All components and materials used in this product are RoHS 2002/95/EC compliant.

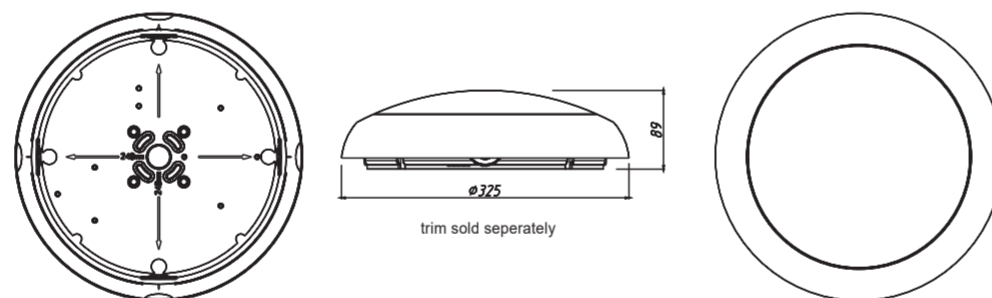
Specifications may change from time to time. The information contained in this leaflet is for guidance only and should not be considered as always accurate and should be treated as not representative.

#### WARRANTY

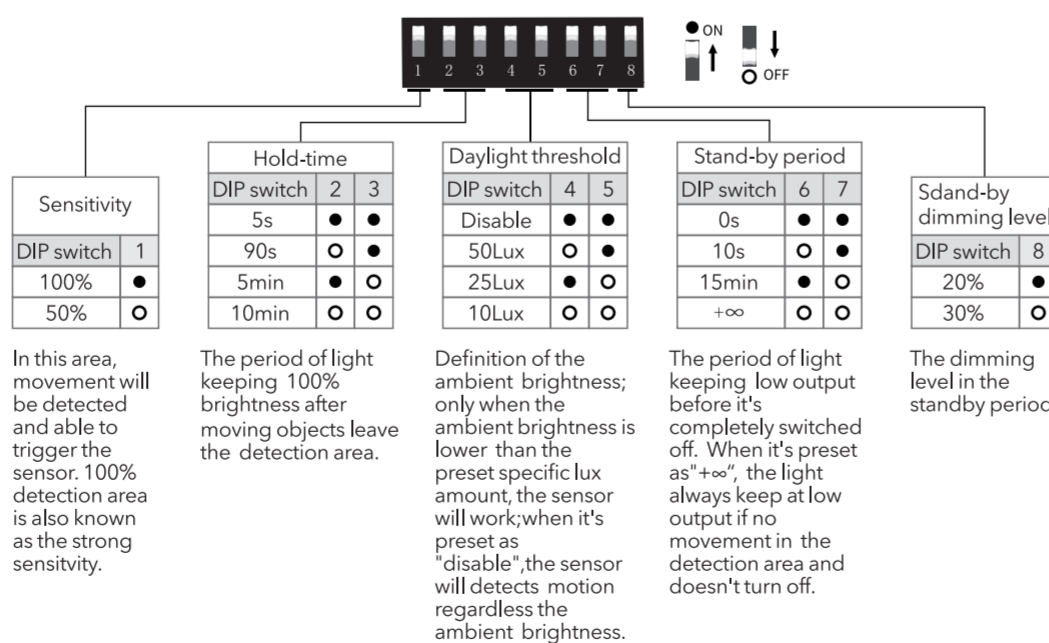
**This luminaire is warranted for a period of 5 years from the date of purchase.\*\*** The backup battery pack in the emergency version is warranted for a period of 24 months. The warranty could be invalidated should the light fitting not be installed according to these instructions, outside the scope of the specification or the product has been altered or tampered with in any way. Please see website for terms and conditions.

#### PRODUCT TEMP SPECIFICATION

Standard -20° to +40°C  
Emergency 0° to +40°C



#### MICROWAVE SENSOR SETTINGS



#### Wiring instructions for units equipped an with EMERGENCY function

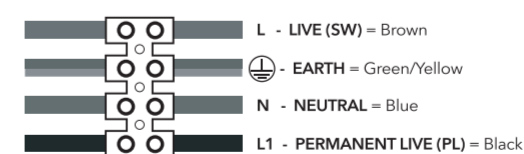
**Emergency lighting luminaries must be installed and maintained in accordance with the emergency lighting standard BS 5266-1**

1. Connect incoming earth cable to 'Earth' terminal on connector block.
2. Connect incoming neutral cable to 'Neutral' terminal on connector block.
3. For the emergency unit to work correctly, please ensure that an uninterrupted permanent live feed is present and is connected directly to the 'Permanent Live' terminal of the mains terminal block. Please ensure there are no switches, PIRs etc within the permanent live feed, constant switching of the emergency pack could result in premature battery failure.
4. Connect incoming switched live cable to the terminal marked "Switched Live"

**NOTE: If there is no switch live feed and the unit has a microwave sensor, simply bridge across from the "Permanent Live" to the Switch Live" on the mains terminal block.**

5. There should be a loose flying lead connected to the battery. This needs to be attached to the flying lead from the emergency control unit.
6. Following power up the green LED indicator should illuminate to indicate charging. If power to the unit is disrupted or isolated, the unit indicating green LED will switch off, triggering the emergency LEDs to illuminate.
7. Please allow 24 hours charge before first emergency test.

#### EMERGENCY FITTINGS ONLY. EARTH CONNECTION REQUIRED.



#### BULKHEAD DIMENSIONS

Watts	D (mm)	H (mm)	LF (mm)
18	320	80	80

HUB UK Group Limited | Add: Suite 8 Marlowe Business Centre, 4-6 Orange Street, Canterbury, Kent CT1 2JA | Tel: 0330 133 1311 | Em: help@lighthubdirect.com