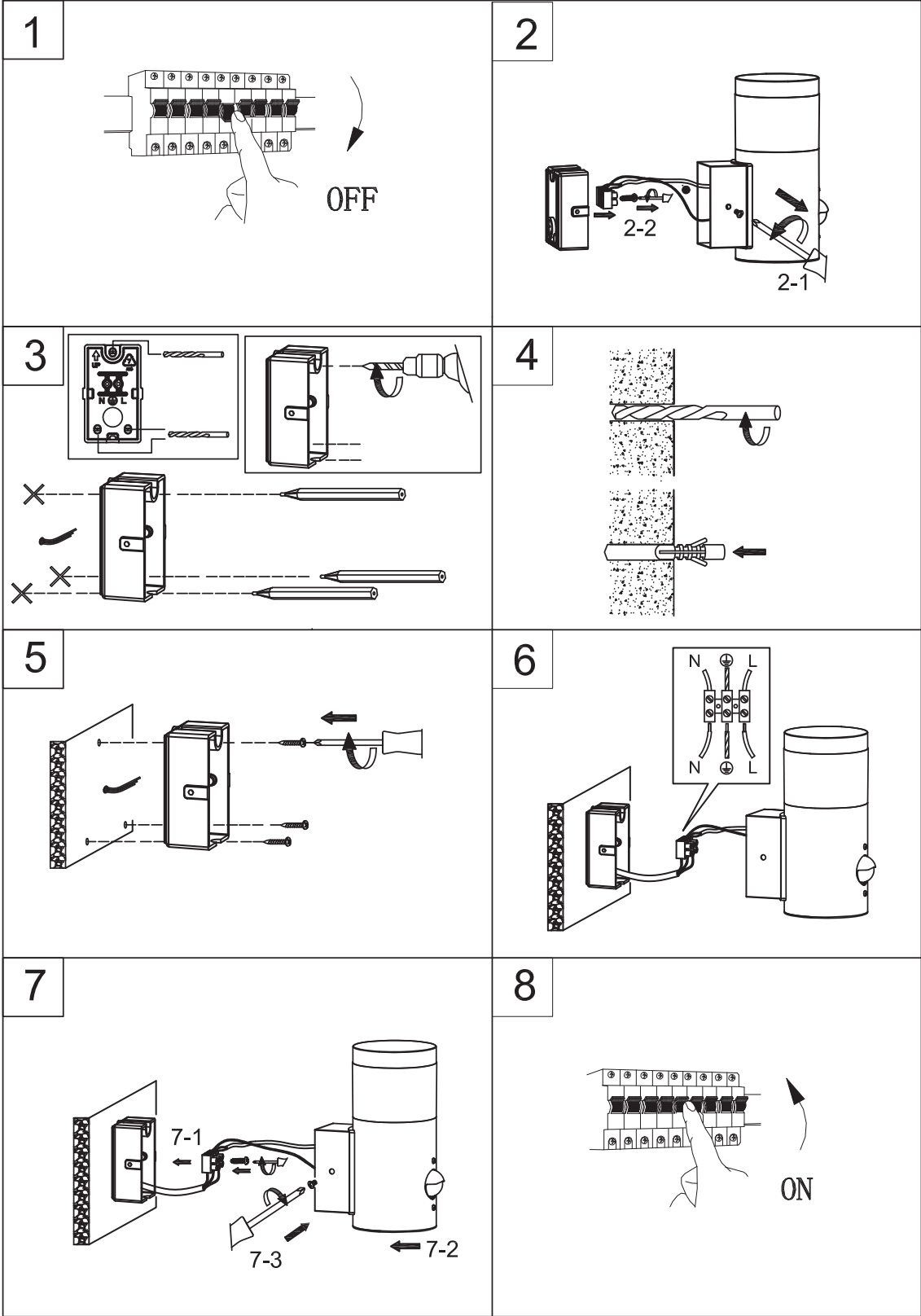


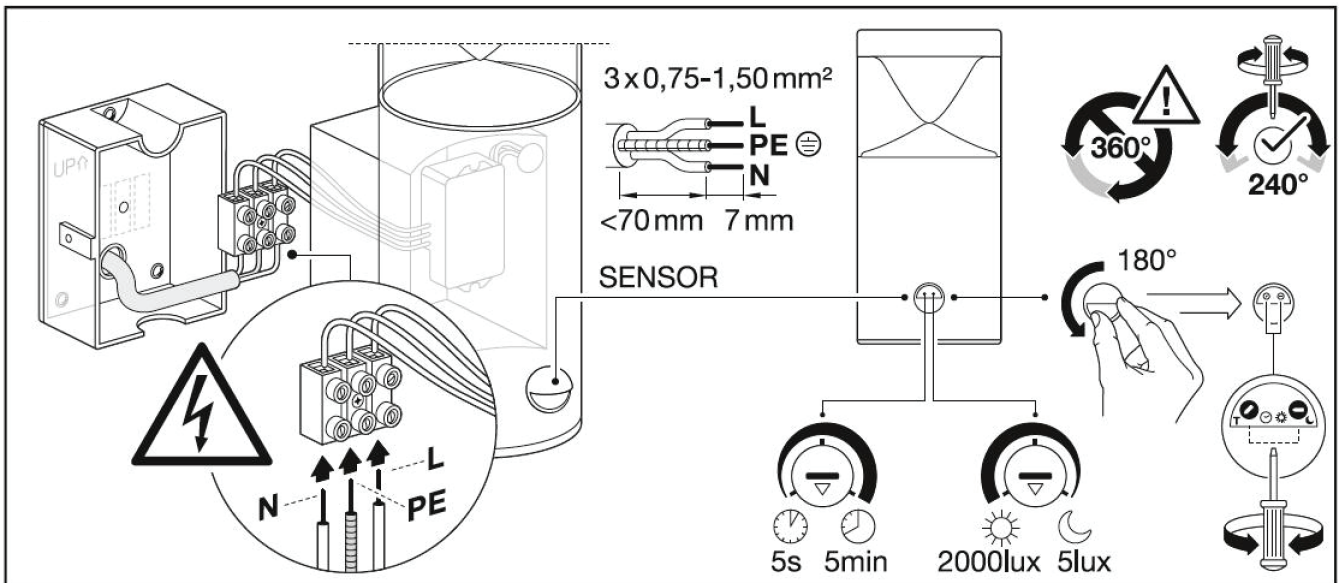


INS 38616 - B



Please take time to read this leaflet carefully and retain it for future reference.

Setting the PIR



The light incorporates a PIR (Passive Infra Red) sensing device which continually scans a preset operating zone and immediately switches the light on when it detects movement in that area.

To achieve the best results, please consider the following when positioning your light:

Ideally the light should be mounted 1.8 to 2.5 meters (6 to 8ft) above the area to be scanned.

To avoid nuisance triggering, the sensor should be directed away from heat sources such as barbecues, Air-conditioners, other outside lighting, moving cars and flue vents

To avoid nuisance triggering, Keep away from strong electromagnetic disturbances.

Do not aim towards reflective surfaces such as smooth white walls, swimming pools etc. The Maximum scanning range may vary slightly depending on the mounting height and location.

Movement across the scan area is more effective than movement towards or away from the sensor.

Adjusting time and LUX.

Open the cover on the sensor to access the two control dials:

Duration time: 5 seconds up to 5 min adjustable. (Timings are approximate)

LUX control: adjustable, When set on sun it can work at day and night.

When set on the moon.it just work in the night.

4W Integral LED, 200lm, 3000K

Non-replaceable light source. Non-replaceable control gear.

Wiring connected. This product contains a light source of energy efficiency class < G >