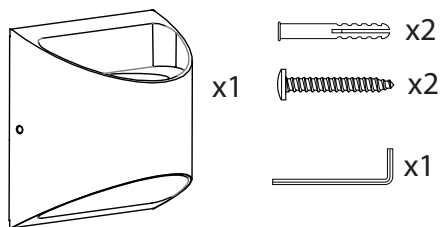
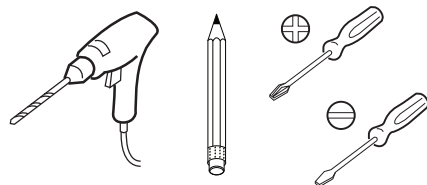


## Parts Supplied

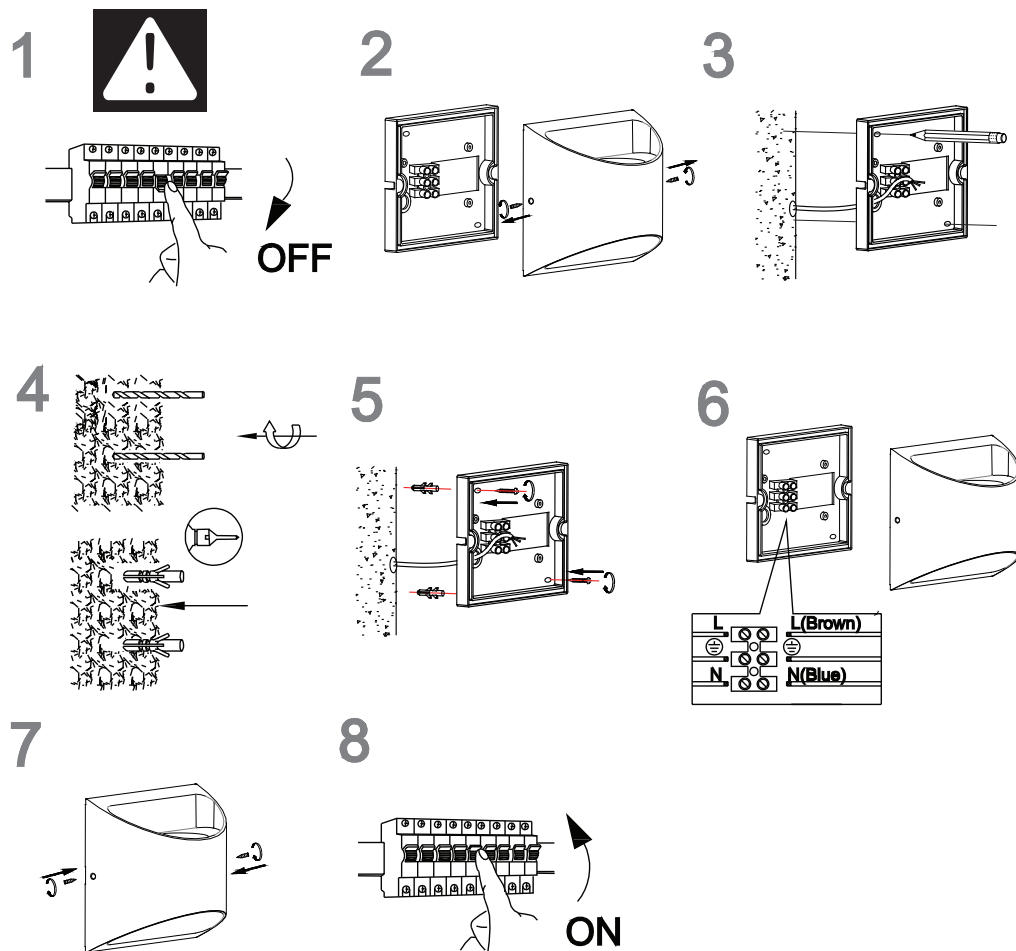


## Tools required (not supplied)



ins ZN 29993 - B

## Installation Instructions



## Technical Data

Supply Voltage:	220-240 V~, 50 Hz
Bulb Type:	Non-replaceable 8W LED
	The light source contained in this luminaire shall only be replaced by the manufacturer or his service agent or a similar qualified person
	Conformity with all relevant EC Directive requirements.
	Class I product, must be connected to earth.
<b>IP54</b>	Protects against dust and low pressure jets of water from all directions. Limited ingress permitted.
	Waste electrical products should not be disposed of with household waste. Please recycle where facilities exist. Check with your Local Authority or local store for recycling advice.
	L = Brown or Red N = Blue or Black = Green/Yellow

