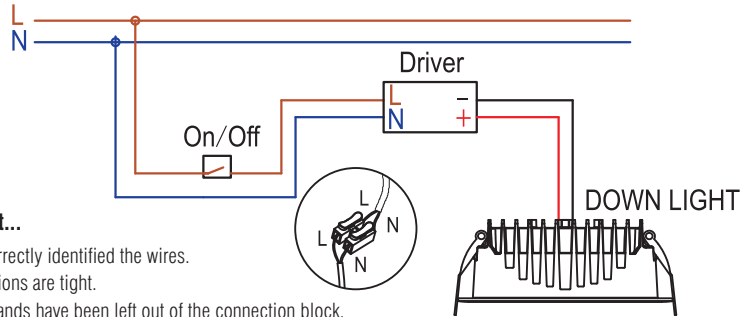


Wiring

Having correctly identified the wiring from your light fitting, pull the wire through the hole and connect to the connector block inside the LED driver in the following way:

This unit is double insulated and must not be earthed. If there are any incoming earth cables, they must be joined together. This is to ensure earth continuity throughout your property.



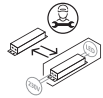
Check that...

You have correctly identified the wires.
The connections are tight.
No loose strands have been left out of the connection block.

Technical data

Supply Voltage: 220-240 V~, 50 Hz | Bulb Type: 29/27/25/23W LED (SMD) CCT, 3000/4000/6000K
This product contains a light source of energy efficiency class **C**.

  Non-replaceable light source

 Replaceable control gear by a professional



Conformity with all relevant UKCA Directive requirements.



Conformity with all relevant EC Directive requirements.



The power supply is Double Insulated and does not require connection to an Earth circuit.



Waste electrical products should not be disposed of with household waste. Please recycle where facilities exist. Check with your Local Authority or local store for recycling advice.



This product is not suitable for dimming.



This product is rated at IP54.



This product is rated at IK06.

Care and Safety

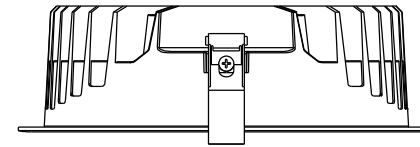
We recommend cleaning with a soft dry cloth. Do not use solvents or abrasive cleaners as these could damage the finish. For your safety, always switch off the power supply before cleaning.

For further information, please visit <https://www.lighting-info.co.uk/114563>

Instruction manual


Paragon CCT

114563



Thank you for purchasing this light fitting. Please read the instructions carefully before use to ensure safe and satisfactory operation of this product. Please retain these instructions for future reference.

Warning

 This light fitting is double insulated and does not require connection to an Earth circuit.

Please read these instructions carefully before commencing any work.

This unit must be fitted by a competent and qualified electrician.

Install in accordance with the IEE Wiring regulations and current Building Regulations.

Check the pack and make sure you have all the parts listed.

To prevent electrocution switch off at mains supply before installing or maintaining this fitting. Ensure other persons cannot restore the electrical supply without your knowledge. If you are in any doubt, please consult a qualified electrician.

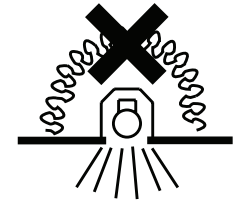
This light fitting should be connected to a fused circuit.

This luminaire is suitable for use in ambient temperatures of -30°C to +55°C.

The external flexible cable or cord of this luminaire cannot be replaced; if the cord is damaged, the luminaire must be destroyed.

Do not transform the lamp or change the components.

Waste electrical products should not be disposed of with household waste. Please recycle where facilities exist. Check with your local authority or retailer for recycling advice.



Luminaires not suitable for covering with thermally insulating material.

Layout

Plan the desired layout of these fittings carefully, ensuring the cables will reach the distances between the LED Driver and each light fitting.

Ensure that there is adequate ventilation for the LED Driver.

Avoid locating any cables in positions that would cause a hazard. Position cables and junction boxes (not supplied) away from areas where they may be at risk from being cut, trapped or damaged.

Do not use the lamp under the condition of direct sunlight, humidity, fog, rain and corrosive gas, explosive gas, dust, liquid.

The mains supply cable must have a minimum cross sectional area of 1.0mm²

Cables must be protected using suitable conduit or plastic trunking.

When more than one downlight is installed, the minimum distance between units is 500mm. the unit must be located a minimum distance of 50mm from a joist.

This product must be mounted out of arms reach.

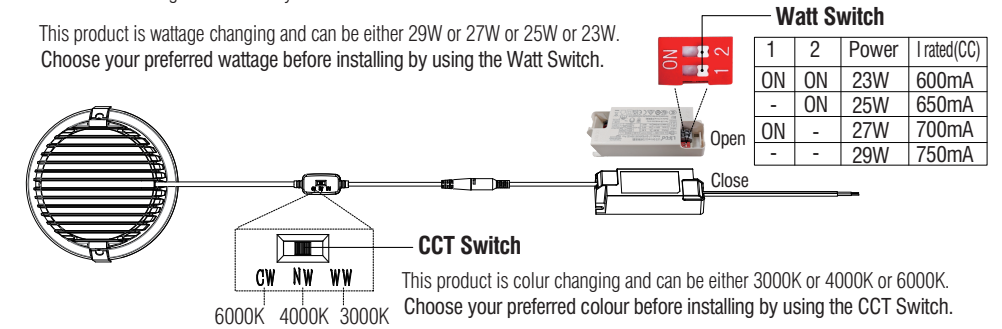
Installation

Existing fittings must be completely removed before installation of a new product. Before removing the existing fitting, carefully note the position of each set of wires.

Note that the switch is turned off before installation.

Ensure that the screws and cable entry points are sealed to maintain the IP rating of the product.

- Cut a mounting hole in the ceiling taking care not to foul any pipes, mains cables or joists beneath the surface.
- It is always recommended to cut the hole slightly smaller than the size specified, and then file the hole until the recessed unit fits snugly.
- Pull the mains wire through the hole and open the cover of end fo LED driver to wire as detailed wiring. Then refit back the cover on the LED driver.
- Connect male and female plugs.
- Push the spring clips upwards and fit into the ceiling hole, then push the unit up until firmly in position, ensuring that no cables are trapped. Ensure that the product is sitting properly in the hole.
- Switch on. Your light is now ready for use.



Note: Before you change the wattage/colour every time, please turn off the power switch for safety.

