

## Selecting the correct lightbulb

Identify the correct maximum wattage and type of bulb by referring to the product labelling.

caution: only use a bulb of the same type designation and shape, and of the same or lower Wattage. Low Energy bulbs can be used where available

Allow the lamp to cool for at least 10 minutes before replacing spent bulbs.

## Switch on!

You may now switch the electricity back on at the mains.

## Cleaning care

The fitting should be cleaned with a soft, dry cloth only. Do not use polishes or abrasive cloths.

## Safety information

For your safety, please remember the following:

Always switch off the supply before removing shades/covers, changing lightbulbs or cleaning.



This product should be disposed of responsibly at the end of its life. Please recycle where facilities exist. Check with your Local Authority or Retailer for recycling advice (Waste Electrical and Electronic Equipment Directive)

## HELPLINE

If you receive this item with parts broken or missing, please telephone:

0333 0050077

Please have ready your name, address, tel. no., product reference, where purchased and parts required.

An answering service is in operation outside office hours and during busy periods.

We regret that we are unable to give advice on internal house wiring.

Cascade Holdings Ltd, Gorse Mill, Gorse Street, Chadderton, Oldham. OL9 9RJ

EU Authorised Representative: Authorised Rep Compliance,  
Ground Floor, 71 Lower Baggot Street, Dublin, Ireland,  
D02P593.

UK  
CA

CE

# INLIGHT<sup>®</sup>

Ins 2921 cls1 – E

# Class 1 Wall Light User Instructions

Thank you for selecting this product. It has been thoughtfully designed and carefully manufactured to ensure a high level of reliability and performance.

We strongly recommend that ceiling/wall lights are installed by a qualified electrician. If, however, you decide to carry out your own installation, please read through these instructions carefully before commencing work, and retain them for future reference.

Please note, the important safeguards and instructions appearing in this leaflet are not meant to cover all possible conditions and situations that may occur. It must be understood that common sense, caution and care are factors which cannot be built into any product and must be supplied by the person installing and caring for the fitting.

## Changes to Building Regulations

As of 1 January 2005, changes to the Building Regulations affect domestic electrical installations in England and Wales. You don't need to be a qualified electrician to make changes to your home's electrical system, but the work must be done in accordance with the standards in the Regulations.

You do not need to notify your Local Authority if you do **minor** electrical work such as:-

- replacing or repairing a socket, light or cable in any room
- adding extra spurs, sockets or lights to an existing circuit (except in a kitchen, bathroom or outdoors)

However, the work must be done to the standards in the Wiring Regulations and you should consider having the work checked by a competent electrician to make sure it is safe.

Before you start **other** electrical work such as:-

- adding new circuits to your existing installation
- any work (other than repairs / replacements) in a room where there is water (eg. kitchen, bathroom, etc.)
- any work (other than repairs / replacements) outdoors (eg. installing garden lighting or sockets, etc.)

You must **notify** your Local Authority Building Control Department, which has responsibility for ensuring the work is inspected and tested.

Where you have any work done by an electrician who is a member of a competent person self-certification scheme, the electrician will be able to certify the work complies with the Regulations and you do not need to notify your Local Authority.

We recommend that you make yourself aware of the Regulations before you undertake any work and if you require any clarification you should contact your Local Authority Building Control Department.

## Important Safety Information

All wall fittings should be connected via a 5 amp fused circuit and must be installed in accordance with current applicable building and electrical installation regulations.

Before installation and servicing, disconnect the electrical supply at the mains.

Carefully observe all instructions or warnings that are labelled on, or supplied with, your product.

Unless otherwise stated, products are suitable for normal indoor use only and should not be used where water or high humidity may affect them.

**If in any doubt, consult a qualified electrician.**

## General Information

Do not mount ceiling/wall fittings onto damp surfaces such as newly painted or plastered areas as this may cause discolouration of the finish.

## Tools which may be required:

- Drill
- Cross Head Screwdriver
- Small Electrical Slotted Screwdriver
- Insulation Tape

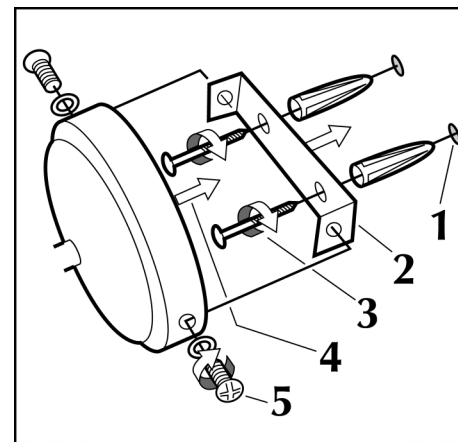
## Fixing instructions for Wall lights

All ceiling fittings and wall lights must be connected to the supply earth. If your lighting circuit does not have an earth, ask a qualified electrician to provide an earth facility.

**Identify the location and direction of any hidden supply cables or service pipes before drilling fixing holes.**

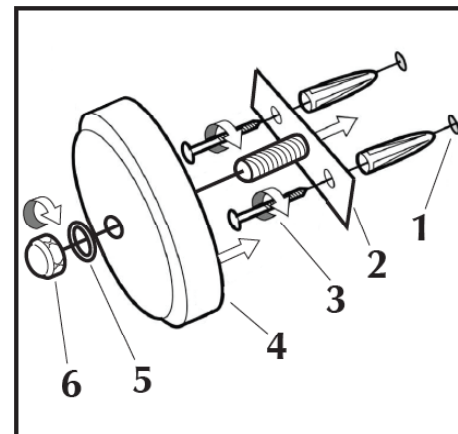
### Wall light with strap...

- 1 Using the backstrap as a guide, mark the positions of fixing holes onto the wall surface adjacent to the supply wiring. Drill holes at the positions marked and fit the plastic wall plugs supplied.
- 2-3 Secure the backstrap to the wall using the screws (3). Using the connector block supplied, connect the wires as shown on the diagram opposite. Check that you have correctly identified the house wires, that all connections are tight and that no loose strands have been left out of the connection blocks.
- 4-5 Offer the wall light to the back strap and secure in place using the screws/washers.




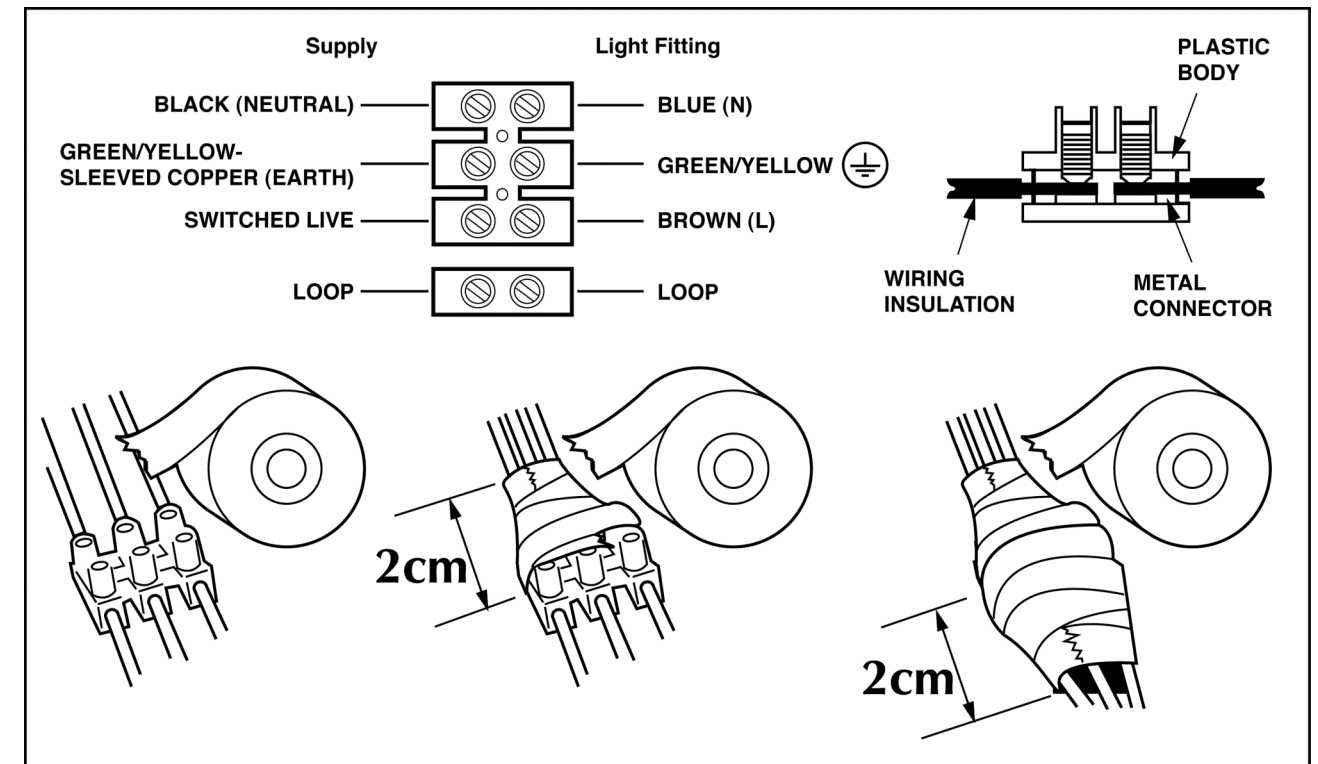
### Wall light with Besa bracket...

- 1 Using the backstrap as a guide, mark the positions of fixing holes onto the wall surface adjacent to the supply wiring. Drill holes at the positions marked and fit the plastic wall plugs supplied.
- 2-3 Secure the backstrap to the wall using the screws (3). Using the connector block supplied, connect the wires as shown on the diagram opposite. Check that you have correctly identified the house wires, that all connections are tight and that no loose strands have been left out of the connection blocks.
- 4-5 Offer the wall light to the back strap and secure in place using the locking nut/washers.

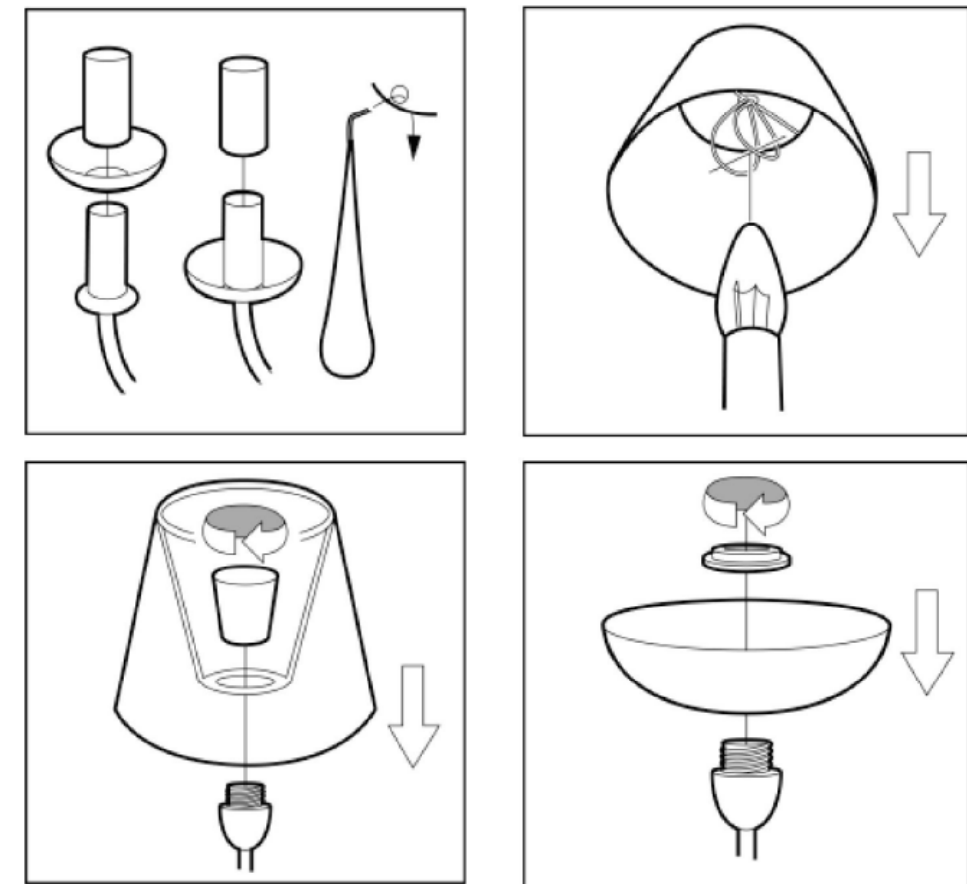


## Wiring wall lights

For Earthed items (Class 1): These are marked with the symbol 



## Dressing and Shade attachment



Product may vary from the diagrams shown above.