

## Technical data

Supply Voltage: 220-240 V~, 50 Hz

Bulb 101336 : 38/32/27/21W LED module (SMD), CCT 3000/4000/6000K

Type: 101338 : 58/50/41/32W LED module (SMD), CCT 3000/4000/6000K

This product contains a light source of energy efficiency class **D**.

 Non-replaceable light source

 Replaceable control gear by a professional


 Conformity with all relevant UKCA Directive requirements.

 Conformity with all relevant EC Directive requirements.

 This product is Class 1, must be connected to earth.

 Waste electrical products should not be disposed of with household waste. Please recycle where facilities exist. Check with your Local Authority or local store for recycling advice.

 This product is not suitable for dimming.

 This product is for indoor use only.

## Care and Safety

Live Voltages may be present in this unit even when turned off or when completely disconnected.

We recommend cleaning with a soft dry cloth. Do not use solvents or abrasive cleaners as these could damage the finish.

For your safety, always switch off the power supply before cleaning.

Instruction manual

# DualLED

101336, 101338



Thank you for purchasing this light fitting. Please read the instructions carefully before use to ensure safe and satisfactory operation of this product. Please retain these instructions for future reference.

## Warning

This is a Class 1 product and must be earthed.

Please read these instructions carefully before commencing any work.

This unit must be fitted by a competent and qualified electrician.

Check the pack and make sure you have all the parts listed.

Install in accordance with the IEE Wiring regulations and current Building Regulations.

To prevent electrocution switch off at mains supply before installing or maintaining this fitting. Ensure other persons cannot restore the electrical supply without your knowledge. If you are in any doubt, please consult a qualified electrician.

This light fitting should be connected to a fused circuit.

If replacing an existing fitting, make a careful note of the connections.

Waste electrical products should not be disposed of with household waste. Please recycle where facilities exist. Check with your local authority or retailer for recycling advice.

## Layout

Plan the desired layout of these fittings carefully, ensuring the cables will reach the distances between the junction box and the each light fitting.

Avoid locating any cables in positions that would cause a hazard. Position cables and outdoor rated junction boxes (not supplied) away from areas where they may be at risk from being cut, trapped or damaged.

The mains supply cable must have a minimum cross section area of 1.0mm<sup>2</sup>.

Cables must be protected using suitable conduit or plastic trunking.

Take care not to drill into any pipes or mains cables beneath the surface during mounting holes preparation.

This product can be installed on the ceiling or wall.

## Installation

Existing fittings must be completely removed before installation of a new product. Before removing the existing fitting, carefully note the position of each set of wires.

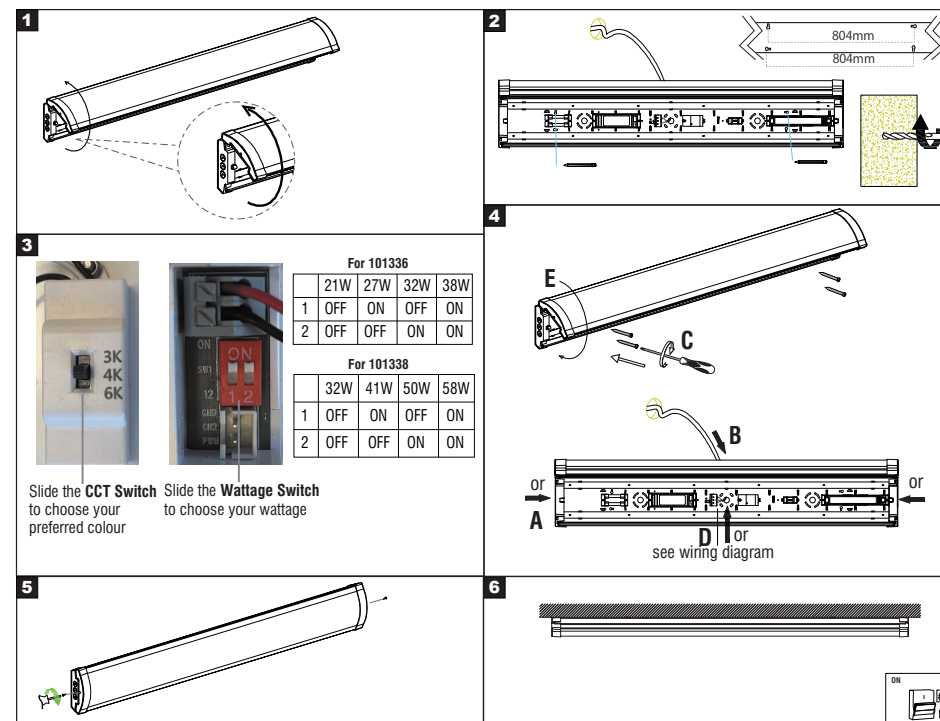
Note that the switch is turned off before installation.

The mounting surface must be flat and smooth to ensure a good fit.

This may require the help of an assistant.

- Rotate both ends of the product in the direction of the arrow to open the diffuser cover.
- This unit can be mounted on the wall or ceiling. After deciding the mounted way accordingly, Using the rear panel as a template mark the position to drill out the fixing holes. Take care to avoid damaging any concealed wiring and pipes. The correct fixings should be used, depending upon the surface to be mounted.
- This product is colour changing and can be either warm white (3000K) or cool white (4000K) or daylight white (6000K). And can be changed the wattage 38/32/27/21W for 101336, can be changed the wattage 58/50/41/32W for 101338. Choose your preferred colour / wattage before installing by sliding the CCT switch / Wattage switch inside the product.
- **Note: Before you change the colour and wattage, please turn off the power switch for safety.**
- Choose the cable entry holes and drill out the conduit knockouts accordingly if necessary. Then pull the cable through the cable entry hole.

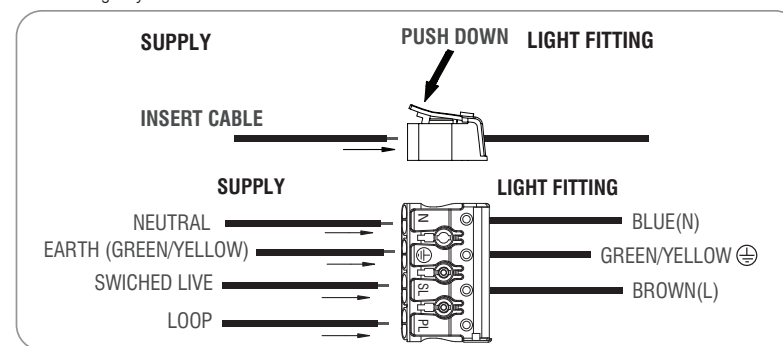
- Fix the rear panel into the position with the installation plugs and screws (supplied).
- Connect the supply cable to the quick fit terminal block as detailed wiring diagram.
- Refit back the diffuser cover into the place.
- Tightening the screws to both end to secure the diffuser cover better.
- Replace fuse or circuit breaker and switch on. Your light is now ready for use.



## Wiring

This product is Class I product must be earthed. They must be joined together and well insulated with good quality insulation tape. This is to ensure earth continuity throughout your property.

Having correctly identified the wiring from your existing light fitting and connect to the quick fit connection block inside the product in the following way:



## Check that...

You have correctly identified the wires.

The connections are tight.

No loose strands have been left out of the connection block.