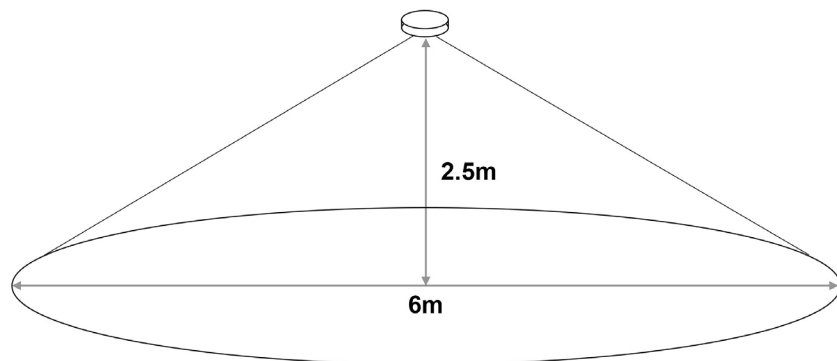


# Installation Position Considerations

The fitting should be suitably positioned so that the detection range is correct for the occupied area of the space to be illuminated. The following diagram shows the detection area of the sensor when installed at around 2.5m high. The diameter of the detection area at ground level is about 6m. The diameter of the detection area will decrease if the fitting is mounted lower than 2.5m.

- Avoid placing fitting near heating or ventilation ducts.
- Avoid shiny or metallic surfaces opposite the sensor where possible.
- Avoid direct sunlight.



## INSTALLATION & SAFETY INSTRUCTIONS



### BHMW17-CCT

#### WALL & CEILING LED FITTING WITH MICROWAVE SENSOR & CCT COLOUR TEMPERATURE SELECTOR

These instructions are for guidance only  
Read these instructions fully before using the fitting.  
Retain these instructions for future reference.

#### LIGHT MUST BE INSTALLED BY A QUALIFIED ELECTRICIAN

### General safety instructions

- Ensure mains power is disconnected & switched off when installing the fitting.
- Never look directly into the LED light source. The light emitted can contain the colour blue.
- To clean: Ensure that the fitting is disconnected from the mains and cannot be unintentionally reconnected.
- Place only upon level and stable surfaces.
- Do not use in areas in which there is a danger of explosion.
- Do not use near flammable materials.
- Do not place in water or other liquids.
- Never operate with wet hands.
- Never cover the equipment.
- Never operate when the casing is open, or when the wiring casing is missing or damaged, or when the protective screen is defective.
- Never spray this unit, and never attempt to clean it with a steam pressure cleaner as this can damage the insulation and seals.
- Never attempt to repair this unit yourself. Repairs should only be carried out by a qualified electrician.
- If the supply cable is damaged, stop using the unit immediately & consult a qualified electrician.
- If diffuser is broken, stop using the unit immediately & consult a qualified electrician.

BHMW17-CCT complies with the 2014/53/EU Radio Equipment Directive (RED), ensuring it meets the EU directives for health and safety, electromagnetic compatibility, and the efficient use of the radio spectrum.



#### WARNING:

This luminaire MUST be disconnected before it is installed, subjected to any high voltage or subjected to insulation resistance testing. Otherwise irreparable damage may occur to the internal components.

### Cleaning

Before cleaning the fitting, disconnect the power cable and allow the fitting to cool down sufficiently. Clean with a dry or slightly moist, clean, lint-free cloth and a mild detergent if required. Do not use cleaners that contain abrasives or solvents.

### Maintenance

- Check power cable and housing of the fitting for damage before use. If the diffuser is damaged, unit must be replaced immediately.
- Clean any dirt from the housing or the diffuser immediately, it could potentially cause overheating.

### Correct Disposal of this product

This marking indicates that this product should not be disposed with other household wastes throughout the EU. To prevent possible harm to the environment or human health from uncontrolled waste disposal, recycle it responsibly to promote the sustainable reuse of material resources. To return your used device, please use the return and collection systems or contact the retailer where the product was purchased. They can take this product for environmental safe recycling.



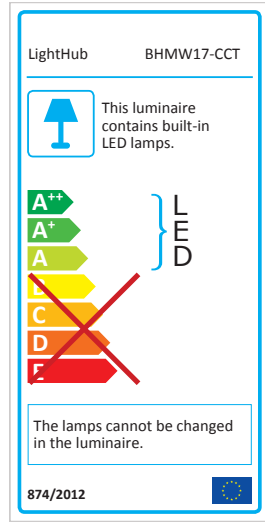
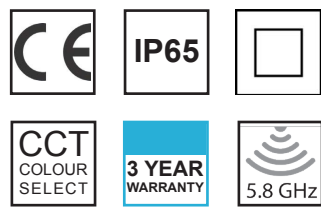
help@lighthousedirect.com

www.lighthousedirect.com +44 (0)330 133 1311

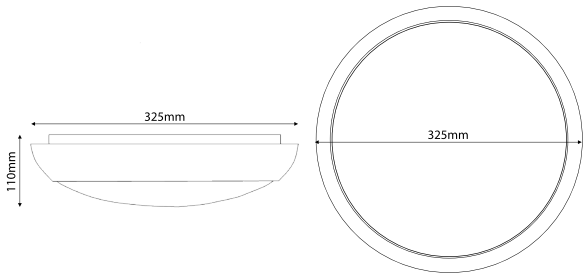
Please contact us if you any questions or queries regarding the product  
HUB UK Group Ltd, Keepers, West Park Road, Newchapel, Surrey, RH7 6HT



BHMW17-CCT			
	Warm White	Cool White	Daylight White
Wattage	17W		
Lumens	1250lm	1350lm	1300lm
LED Colour Temp	3100k	4200k	6400k
LED Life	35,000 hrs		
LED Beam Angle	120°		
Colour Rendering	>80 Ra		
Dimmable	No		
Power Factor	>0.88		
Voltage	220-240V AC / 50Hz		
Earth Class	II		
IP Rating	IP65		
Dimensions	325mm diameter x 110mm depth		
Operating Temp	-20°C to +60°C		
Warranty	3 years*		



MICROWAVE SENSOR	
Microwave Frequency	5.8 GHz
Transmission Power	1.0mW max
Power Consumption / Standby Power	<0.5W
Detection Angle	30 - 150 degrees
Detection Range	6m maximum (adjustable)
Time ON Adjustment	5s/30s/90s/3min/20min/30min
Mounting Positions	Ceiling, Wall
Daylight Sensor Controls	ON/OFF, 2-50 lux



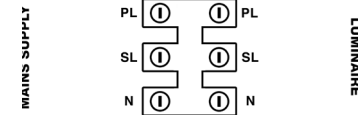
## Recommendations

- Installation should be carried out in accordance with the latest IEE (BS7671) Regulations & the latest Buildings Regulations. Please consult a qualified electrician.
- Please ensure the mains supply is switched OFF before installing and working on this fitting.
- This unit is Class II rated and earth is not required.
- To maintain the IP rating of the unit, a suitable gland should be used for the cable entry and/or fire retardant silicon sealant should be used to effectively seal the hole.
- Not suitable for use with dimmers.
- The fitting is suitable for use in ambient temperatures of -20°C to +60°C. If the fitting is installed in locations where the temperature may vary beyond these temperatures or reach these limits for prolonged periods, the battery life may be shortened and should be tested more regularly.
- High voltage insulation test equipment must not be used on this fitting and may cause irreparable damage.
- It is recommended that 100mm of air space is left around the unit.
- This unit has no replaceable parts.

## Installation Instructions

1. Ensure the electrical supply is switched OFF before working on this fitting.
2. Remove the diffuser from the base by turning anti-clockwise and pulling away from the base.
3. Loosen but do not remove the gear tray retaining screws.
4. Adjust the position of the gear tray to align the hole in the keyhole slots with the retaining screws,
5. Select a suitable cable entry point provided or by drilling into the base.
6. Position and fix the base to suitable solid surface using the fixings provided.
7. Feed the supply cable into the luminaire through the cable entry hole, using the provided grommet to retain the IP rating of the fitting. If you have cut your own hole, a suitable grommet should be fitted and the hole should be sealed using fire retardant silicon sealant.
8. Strip the conductors & terminate them in the connector ensuring correct polarity is observed.

Permanent Live (PL) - Brown  
Neutral (N) - Blue



9. Connect the green plugs from push fit connector to gear tray feed.
10. Refit the gear tray by aligning the holes in the keyhole slots with the retaining screws on the base. Adjust the gear tray so the retaining screws now are aligned with the slots of the keyhole slots. Retighten the retaining screws.
11. Adjust the colour setting required by adjusting the DIP switches as follows:

1	2	COLOUR
●	○	Warm White
○	●	Daylight
○	●	Cool White

12. Configure the microwave sensor settings as detailed below.
13. Re-fit the diffuser by placing over the base and turning anti-clockwise until it locks into position.
14. Switch on the power supply and test for correct operation.

## Microwave Sensor DIP Settings

The microwave sensor detects movement by emitting microwaves at 5.8GHz in all directions. It then detects the reflections received back. It can sense through doors, glass and thin walls so sometimes the settings need to be set for the device to operate only in the area required.

Set the settings for the Microwave sensor using the DIP switches mounted on the sensor:

- Detection Area - Adjusts the range of the sensor between 4-6m.
- On Time - How long the light will stay on for once activated. Use the 5s setting during setup.
- Daylight Settings - Darkness level at which sensor becomes active.

DETECTION AREA			ON TIME				DAYLIGHT SETTINGS				
1	2	3	4	5	6	7	8	9			
ON	ON	ON	100%	ON	ON	ON	5 s	ON	ON	ON	2 lux
-	ON	ON	75%	-	ON	ON	30 s	ON	ON	-	10 lux
ON	-	ON	50%	ON	-	ON	90 s	-	ON	-	25 lux
-	-	ON	25%	-	-	ON	3 min	ON	-	-	50 lux
-	-	-	10%	ON	ON	-	20 min	-	-	-	Disabled
-	-	-	-	-	-	-	30 min	-	-	-	-

