

Commissioning

- Replace the cover on the terminal block. Wrap the earth and loop connection in two layers of insulation tape, and push all of these into the ceiling cavity.
- Lift the ceiling cover into place and screw into position.
- Lift the ceiling cover and shade into place and refit the thumbscrews into position.
- Replace fuse or circuit breaker and switch on. Your light is now ready for use.

Fitting/replacing bulbs

- When changing a bulb, always switch off at the mains and allow the bulb to cool before handling.
- Always use the correct type and wattage bulb. Using the incorrect wattage bulb will damage the bulb and ballast.
- Used bulbs should not be disposed of with household waste. Please recycle where facilities exist.
- Unscrew the bulb anticlockwise to remove.
- Insert the bulb gently into the fitting. Screw clockwise into the lampholder.



We recommend cleaning with a soft dry cloth. Do not use solvents or abrasive cleaners as these could damage the finish.

Shade – Remove and wash in warm water or just use a damp cloth. Do not use abrasive materials as these will damage the finish.

Recycling advice



Waste electrical products should not be disposed of with household waste. Please recycle where facilities exist. Check with your Local Authority or retailer for recycling advice.

Safety information

For your safety, always switch off the power supply before changing lightbulbs, or cleaning.



This bulb is protected by a shade. This part must be replaced immediately should the shade become cracked or damaged. This fitting must not be used without the shade in place.

Instruction leaflet

12421, 59850



Thank you for purchasing this light fitting. Please read the instructions carefully before use to ensure safe and satisfactory operation of this product. Please retain these instructions for future reference.

Warning

This light fitting is double insulated (class 2) and does not require connection to an Earth circuit.

Please read these instructions carefully before commencing any work.

This unit must be fitted by a competent and qualified electrician.

Install in accordance with IEE Wiring regulations and current Building Regulations.

To prevent electrocution switch off at mains supply before installing or maintaining this fitting. Ensure other persons cannot restore the electrical supply without your knowledge.

This light fitting should be connected to a fused circuit.

If replacing an existing fitting, make a careful note of the connections.

Always use the correct type and wattage bulb. Exceeding the bulb wattage will damage the product.

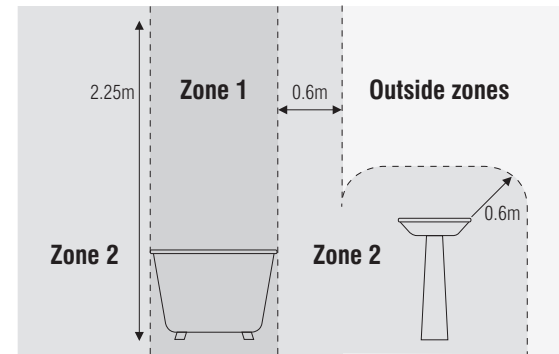
When changing a bulb, always switch off at the mains and allow the old bulb to cool down before handling.

Dispose of used bulbs carefully and responsibly.

This product is suitable for dimming when used in conjunction with a dimmable lamp. Please ensure verification of dimming abilities with the lamp manufacture prior to use.

Waste electrical products should not be disposed of with household waste. Please recycle where facilities exist. Check with your local authority or retailer for recycling advice.

This symbol  means there is the risk of electric shock if the fitting is modified.



This product is suitable for use in Zone 2 and outside Zones of a bathroom. See diagram. If this unit is being fitted in a room containing a bath or shower, a 30mA RCD must be used, in accordance with IEE regulations.

Specification

Voltage: 220-240V~ 50Hz
Lamp: 1 x Max. 40W E27 GLS
IP rating: 44

Layout

- Plan the desired layout of this fitting carefully, ensuring the cables will reach the distance between the junction box and the light fitting.
- Avoid locating any cables in positions that would cause a hazard. Position cables and junction boxes (not supplied) away from areas where they may be at risk from being cut, trapped or damaged.
- The mains supply cable must have a minimum cross sectional area of 1.0mm².
- This product must be mounted out of arms reach.
- This product can only be ceiling mounted.
- This product has special protection against the ingress of moisture and is IP44 rated.

Installation

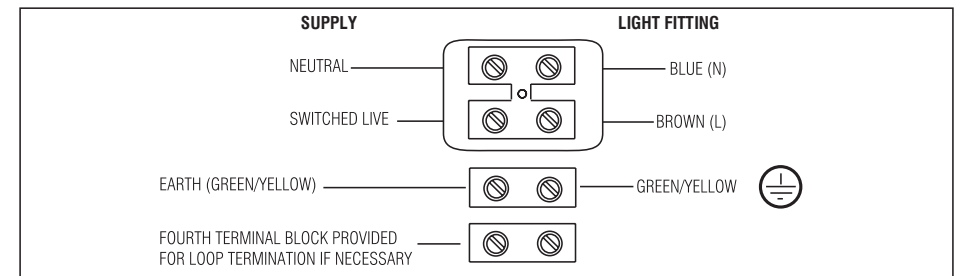
Existing fittings must be completely removed before installation of a new product. Before removing the existing fitting, **carefully note the position of each set of wires.**

- Remove the shade by gripping the shade firmly and unscrewing anticlockwise.
- Carefully pierce a small hole in the rubber grommet in the back plate to allow the cable to pass through.
- Ensure the ceiling is capable of holding the weight of the product. Take care to avoid damaging any concealed wiring and pipes. The correct fixings should be used. Ensure there is a joist at the point of fixing to support the weight of the product.
- Thread the cable through the grommet and wire as detailed below.

Wiring

Having correctly identified the wiring from your existing light fitting, pull the wire through the hole and connect to the connection block on the product as the diagram below. This unit is double insulated and must not be earthed. If there are any incoming earth cables, they must be joined together and well insulated with good quality insulation tape. This is to ensure earth continuity throughout your property.

Where a ring/loop circuit exists there may be an extra set of wires (unswitched live), which are not connected to L, N or E of the fitting. These must be connected together in a separate approved connector (insulated from the rest of the fitting). Ensure that the terminal block is wrapped in at least 2 layers of insulation tape.



Check that...

- You have correctly identified the wires
- The connections are tight
- No loose strands have been left out of the connection block.