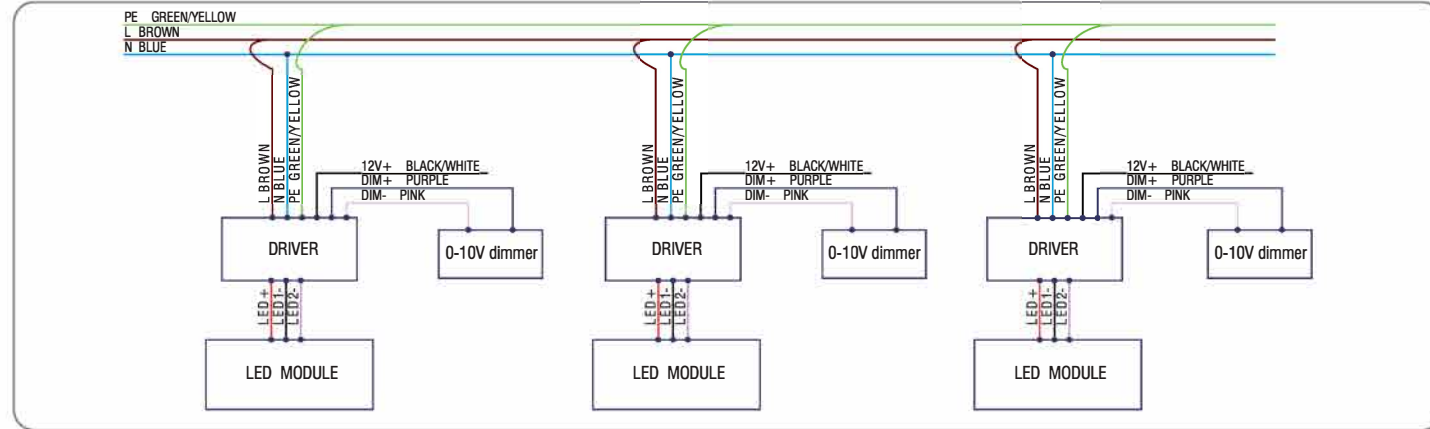


Wiring

Having correctly identified the wiring from your existing light fitting, pull the wire through the hole and connect to the connection block inside the product in the following way:



Check that...

You have correctly identified the wires.
The connections are tight.
No loose strands have been left out of the connection block.

When completed, ensure that there are no bare or loose strands of wire exposed, and cover all exposed areas of the connection block with 2 layers of insulation tape.

Technical data


Supply Voltage: 220-240V~, 50 Hz


Bulb 111662--150W/120W/80W LED (SMD) CCT 4000/5000/6000K
Type: 111663--200W/150W/120W LED (SMD) CCT 4000/5000/6000K

This product contains a light source of energy efficiency class **D**.


  Non-replaceable light source

 Non-replaceable control gear

 Conformity with all relevant UKCA Directive requirements.

 Conformity with all relevant EC Directive requirements.

 This product is Class 1, must be connected to earth.

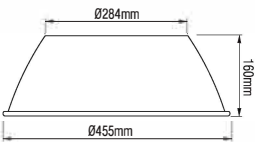
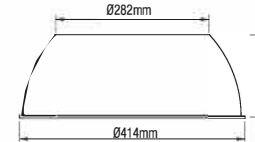
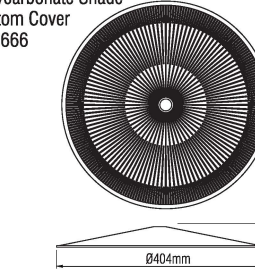
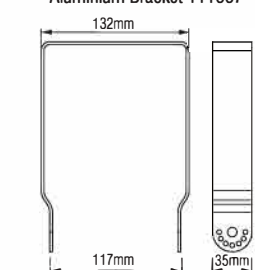
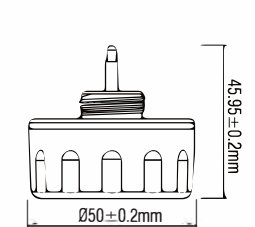
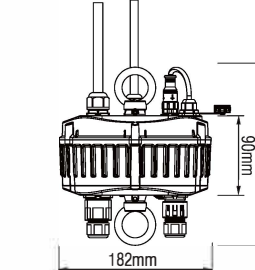
 Waste electrical products should not be disposed of with household waste. Please recycle where facilities exist. Check with your Local Authority or local store for recycling advice.

 This product is suitable only for dimming with 0-10V type dimmers.

 Caution! Risk of electric shock!

 This product is rated at IP65.

Accessories

<p>Aluminium Shade 111664</p> 	<p>Polycarbonate Shade 111665</p> 
<p>Polycarbonate Shade Bottom Cover 111666</p> 	<p>Aluminium Bracket 111667</p> 
<p>Microwave Sensor 111668</p> 	<p>EM Kit 111669</p> 

Care and Safety

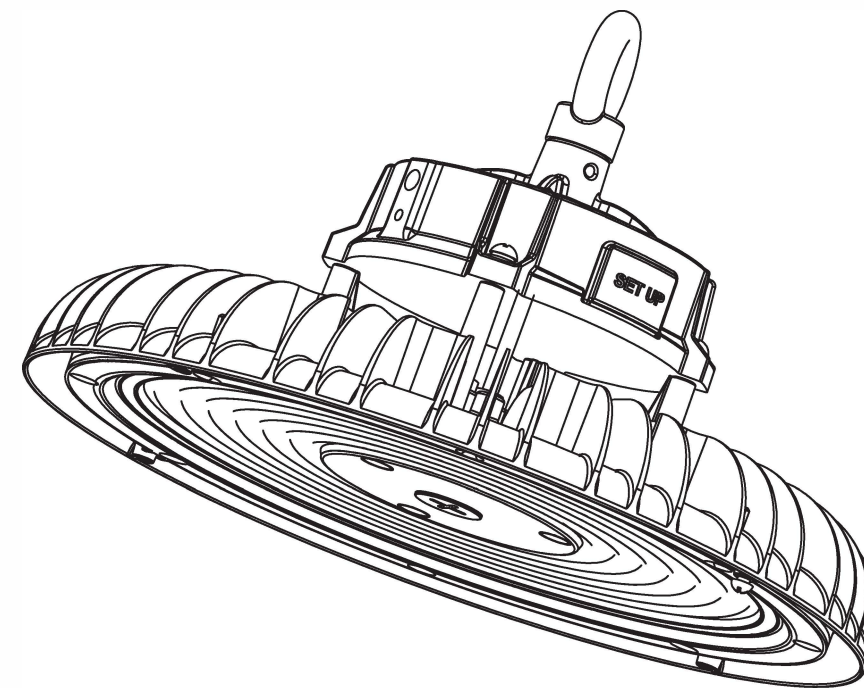
We recommend cleaning with a soft dry cloth. Do not use solvents or abrasive cleaners as these could damage the finish.
For your safety, always switch off the power supply before cleaning.

For further information, please visit <https://www.lighting-info.co.uk/111662>

Instruction manual

AltumPro CCT

111662, 111663



Thank you for purchasing this light fitting. Please read the instructions carefully before use to ensure safe and satisfactory operation of this product. Please retain these instructions for future reference.

Warning

This is a Class 1 product and must be earthed.

Please read these instructions carefully before commencing any work.

This unit must be fitted by a competent and qualified electrician.

Install in accordance with the IEE Wiring regulations and current Building Regulations.

Check the pack and make sure you have all the parts listed.

To prevent electrocution switch off at mains supply before installing or maintaining this fitting. Ensure other persons cannot restore the electrical supply without your knowledge. If you are in any doubt, please consult a qualified electrician.

This light fitting should be connected to a fused circuit.

If replacing an existing fitting, make a careful note of the connections.

The external flexible cable or cord of this luminaire cannot be replaced; if the cord is damaged, the luminaire shall be destroyed.

Waste electrical products should not be disposed of with household waste. Please recycle where facilities exist. Check with your local authority or retailer for recycling advice.

Layout

Plan the desired layout of these fittings carefully, ensuring the cables will reach the distances between each light fitting.

Avoid locating any cables in positions that would cause a hazard. Position cables and junction boxes (not supplied) away from areas where they may be at risk from being cut, trapped or damaged.

Take care not to drill into any pipes or mains cables beneath the surface during mounting holes preparation.

The mains supply cable must have a minimum cross section area of 1.0mm².

Cables must be protected using suitable conduit or plastic trunking.

Luminaires are only suitable for mounting on non-combustible surfaces.

Please keep the fixture out of fire, electric shock, vibration.


Never put anything on the product or hang anything on any part of this product.

Installation

Existing fittings must be completely removed before installation of a new product. Before removing the existing fitting, carefully note the position of each set of wires.

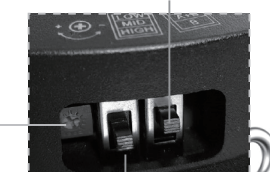
- Note that the power needs to be isolated/switched off at the fuse board.
- The fixing point(s) selected must be capable of supporting the full weight of the light fitting.

IoADJ




There is a slight adjust voltage function on the product, it can only adjust MIDDLE VOLTAGE and LOW VOLTAGE, it can be adjusted to the power that the customer wants, but cannot adjust to exceed the maximum rated power, please remind that the maximum rated power is not allowed to use this slight adjust voltage function.

CCT Switch



WATT Switch



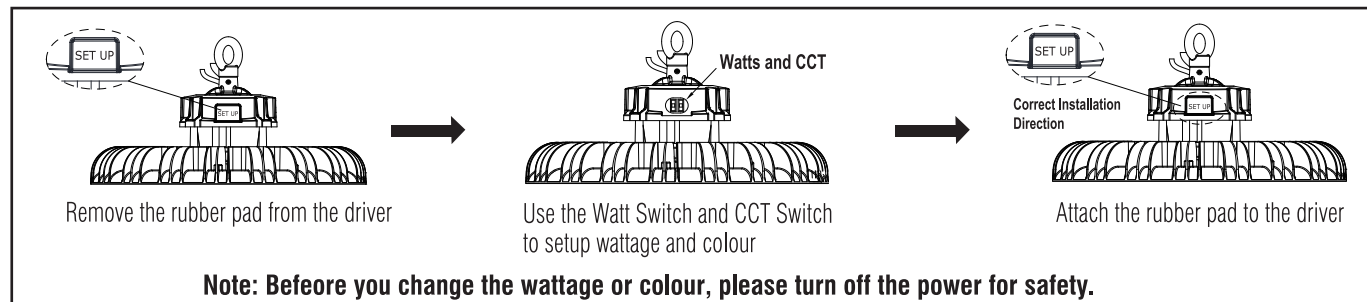
The wattage is changeable between the different wattage by using the WATT Switch covered under the SET UP rubber pad on the driver.

Power			
LOW	80W	111662 is the 150W/120W/80W selectable. Default setting is 150W.	
MID	120W		
HIGH	150W		
Power			
LOW	120W	111663 is the 200W/150W/120W selectable. Default setting is 200W.	
MID	150W		
HIGH	200W		

The colour is changeable between the 4000K-5000K-6000K by using the CCT Switch covered under the SET UP rubber pad on the driver.

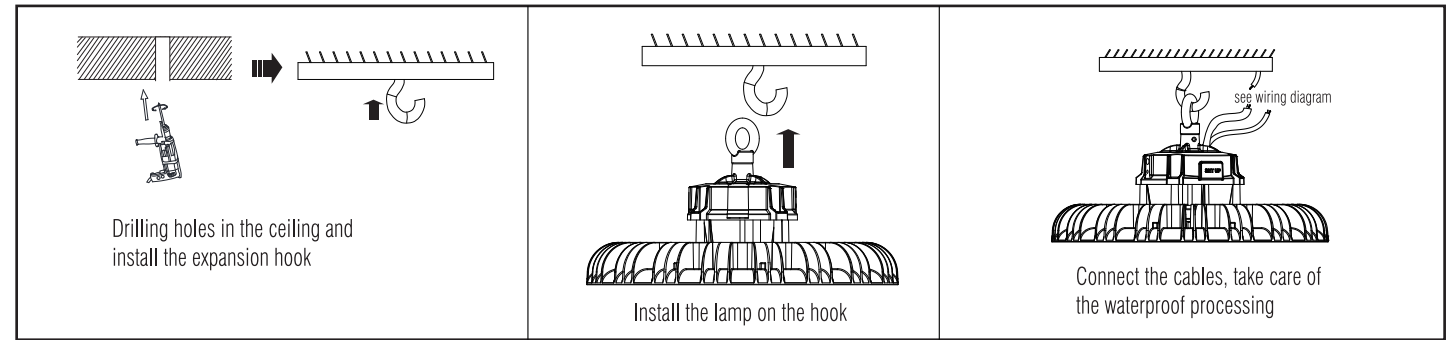
CCT		
A	6000K	The colour is changeable between 4000/5000/6000K. Default setting is 5000K.
A+B	5000K	
B	4000K	

Setup the different wattage and colour



Note: Before you change the wattage or colour, please turn off the power for safety.

Installation method with the hook (not supplied)

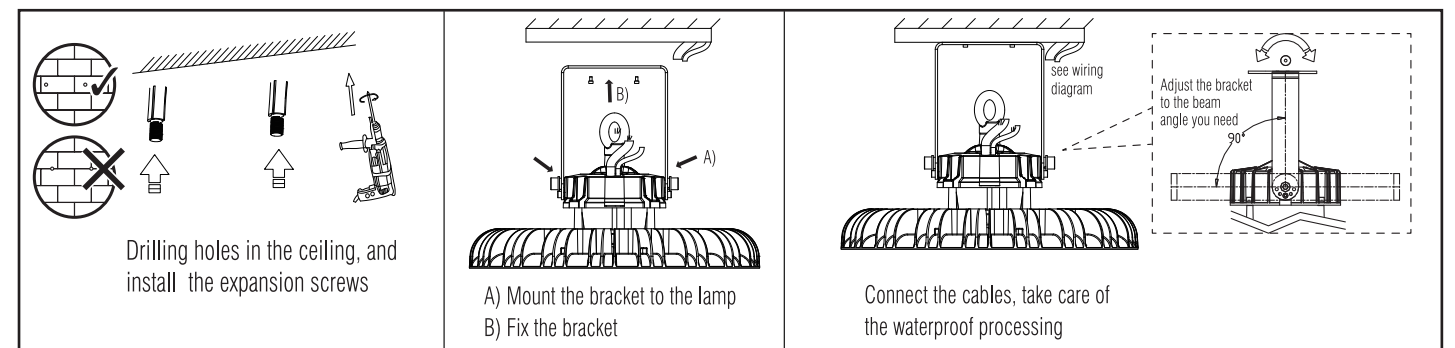


Drilling holes in the ceiling and install the expansion hook

Install the lamp on the hook

Connect the cables, take care of the waterproof processing

Installation method with the bracket (not supplied)



Drilling holes in the ceiling, and install the expansion screws

A) Mount the bracket to the lamp
B) Fix the bracket

Connect the cables, take care of the waterproof processing

Sensor (not supplied) Installation

• Special reminder:

This lamp can be used with sensor (sensor 111668 and remote 78774).

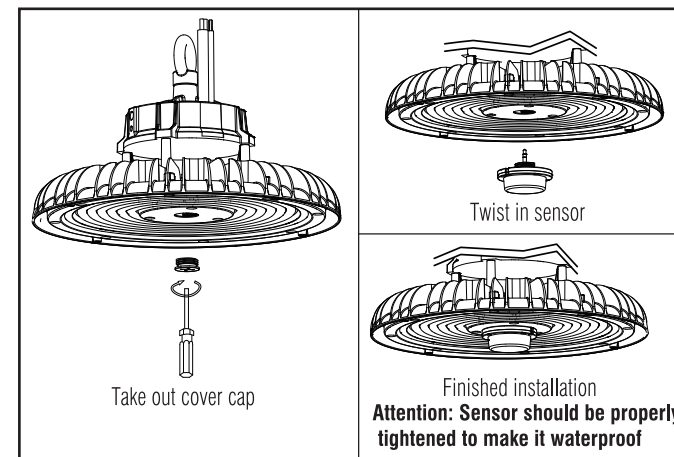
For details on sensor installation, please see the sensor instruction manual of 111668.

The Sensor and 0-10V dimmer can be used together.

When the light is 100% on, customer can use 0-10V dimmer to dim the light.

When the light is dim, customer can't use 0-10V dimmer to dim the light.

Details wiring please refer to wiring diagram



Take out cover cap

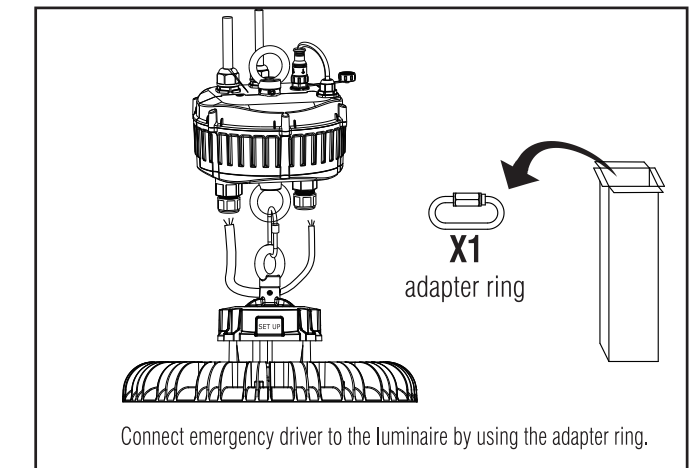
Twist in sensor

Finished installation
Attention: Sensor should be properly tightened to make it waterproof

EM kit (not supplied) Installation

This lamp can be used with EM kit 111669

For details on EM kit installation, please see EM kit instruction manual of 111669. Details wiring please refer to wiring diagram



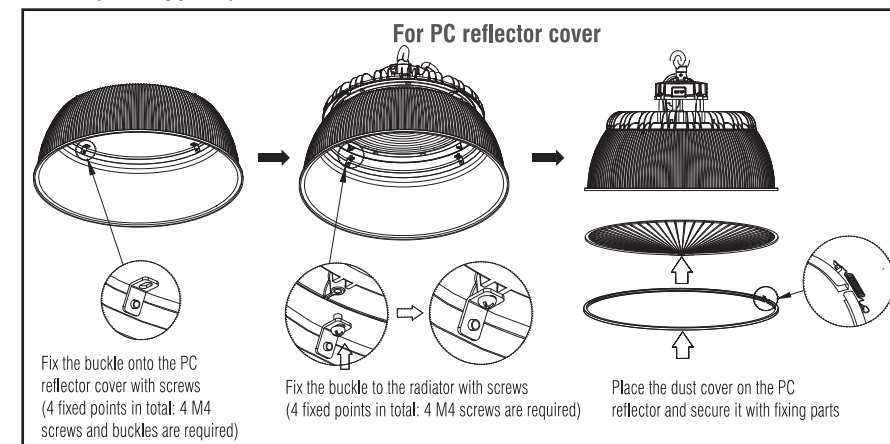
X1 adapter ring

Connect emergency driver to the luminaire by using the adapter ring.

The regular sensor could not be used with Emergency Driver at the same time. If the sensor should be worked with Emergency Driver at the same time, please ask for a special type.

Shade (not supplied) Installation

For PC reflector cover

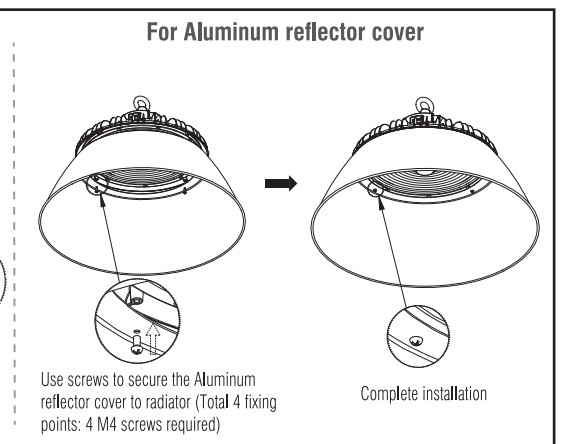


Fix the buckle onto the PC reflector cover with screws (4 fixed points in total: 4 M4 screws and buckles are required)

Fix the buckle to the radiator with screws (4 fixed points in total: 4 M4 screws are required)

Place the dust cover on the PC reflector and secure it with fixing parts

For Aluminum reflector cover



Use screws to secure the Aluminum reflector cover to radiator (Total 4 fixing points: 4 M4 screws required)

Complete installation